



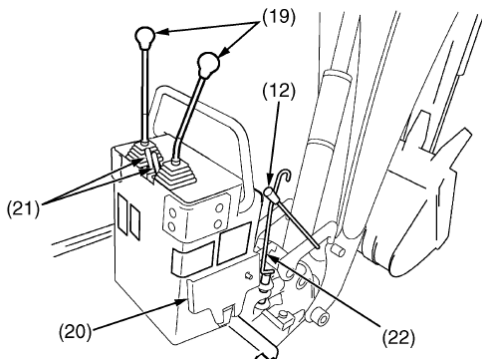
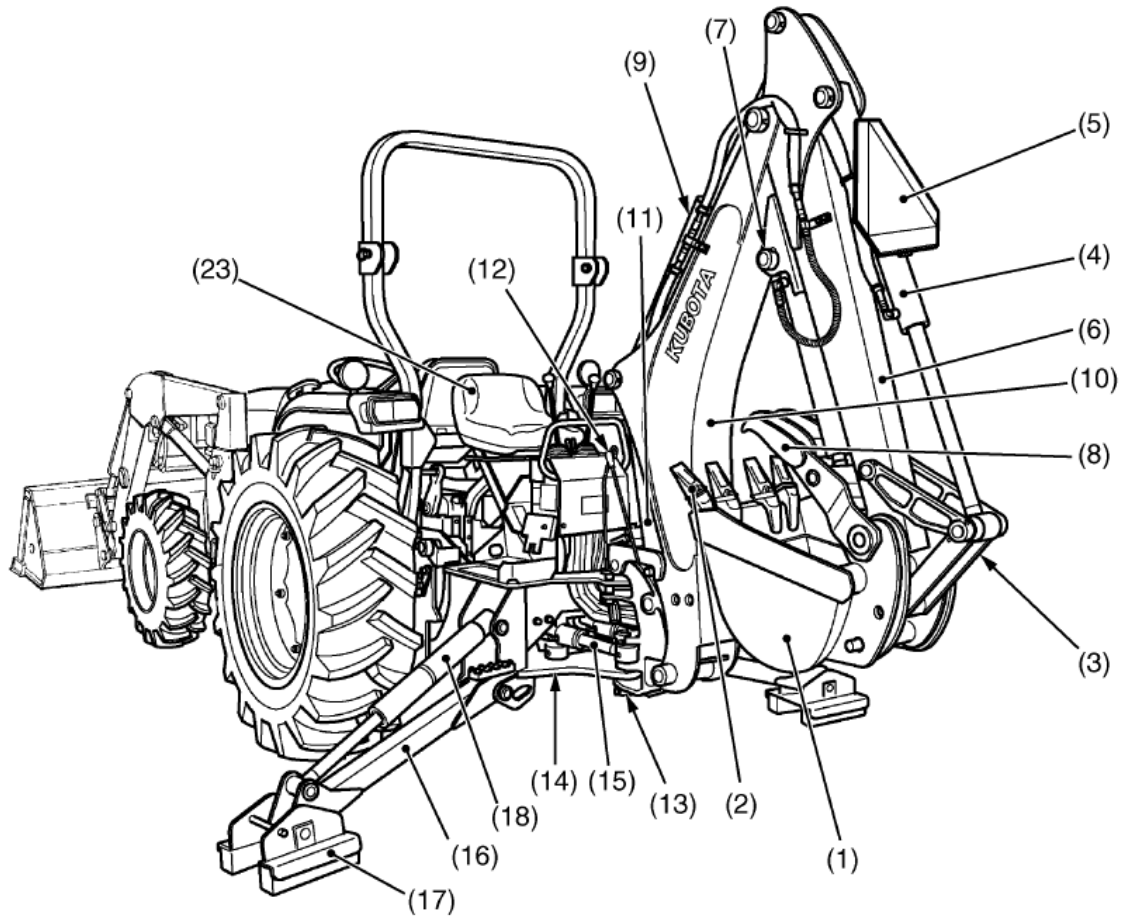
Kubota L60 Series

Detailed Backhoe Specifications

BH77 and BH92



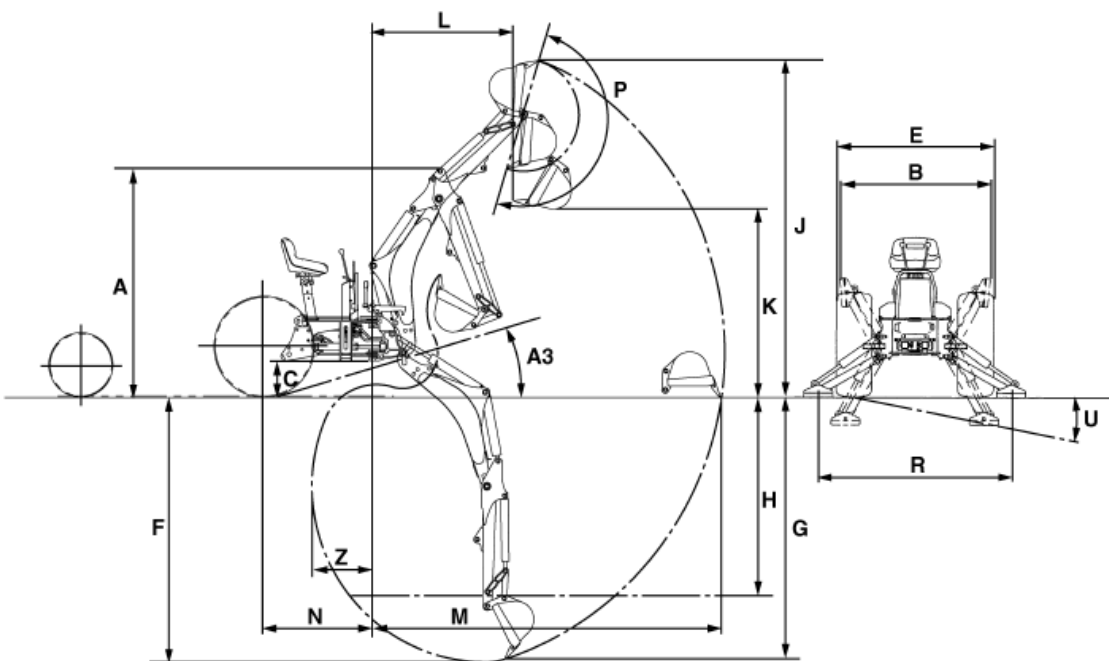
Backhoe Terminology



- | | |
|--|--|
| (1) Backhoe Bucket
(Quick Bucket: Option) | (13) Swing Frame |
| (2) Bucket Teeth | (14) Main Frame |
| (3) Link, Bucket | (15) Cylinder, Swing |
| (4) Cylinder, Bucket | (16) Stabilizer |
| (5) SMV Emblem | (17) Stabilizer Pad |
| (6) Dipperstick | (18) Cylinder, Stabilizer |
| (7) Thumb Bracket | (19) Joystick Control |
| (8) Thumb (Option) | (20) Auxiliary Hydraulic Valve
Pedal (Option) |
| (9) Cylinder, Dipperstick | (21) Stabilizer Control |
| (10) Boom | (22) Swing Lock Pin |
| (11) Cylinder, Boom | (23) Seat |
| (12) Boom Lock Lever | |

BACKHOE SPECIFICATIONS

MODEL		BH77	
Matching Tractor		L3560	
A	Transport height	in. (mm)	80.3 (2040)
B	Stabilizer spread - transport	in. (mm)	51.8 (1315)
C	Ground clearance	in. (mm)	11.5 (292)
E	Overall width	in. (mm)	54.9 (1394)
F	Maximum digging depth	in. (mm)	93.6 (2378)
G	Digging depth, 2 ft. flat bottom	in. (mm)	89.8 (2280)
H	Digging depth, 8 ft. flat bottom	in. (mm)	69.2 (1758)
J	Operating height, fully raised	in. (mm)	119.3 (3029)
K	Loading height	in. (mm)	65.7 (1669)
L	Loading reach	in. (mm)	50.8 (1290)
M	Reach from swing pivot	in. (mm)	124.3 (3156)
N	Swing pivot to rear axle center line	in. (mm)	37.6 (954)
P	Bucket rotation	deg.	180
R	Stabilizer spread - operating	in. (mm)	69.0 (1753)
A3	Angle of departure per SAE J1234	deg.	17.3
U	Leveling angle	deg.	10.2
	Swing arc	deg.	180

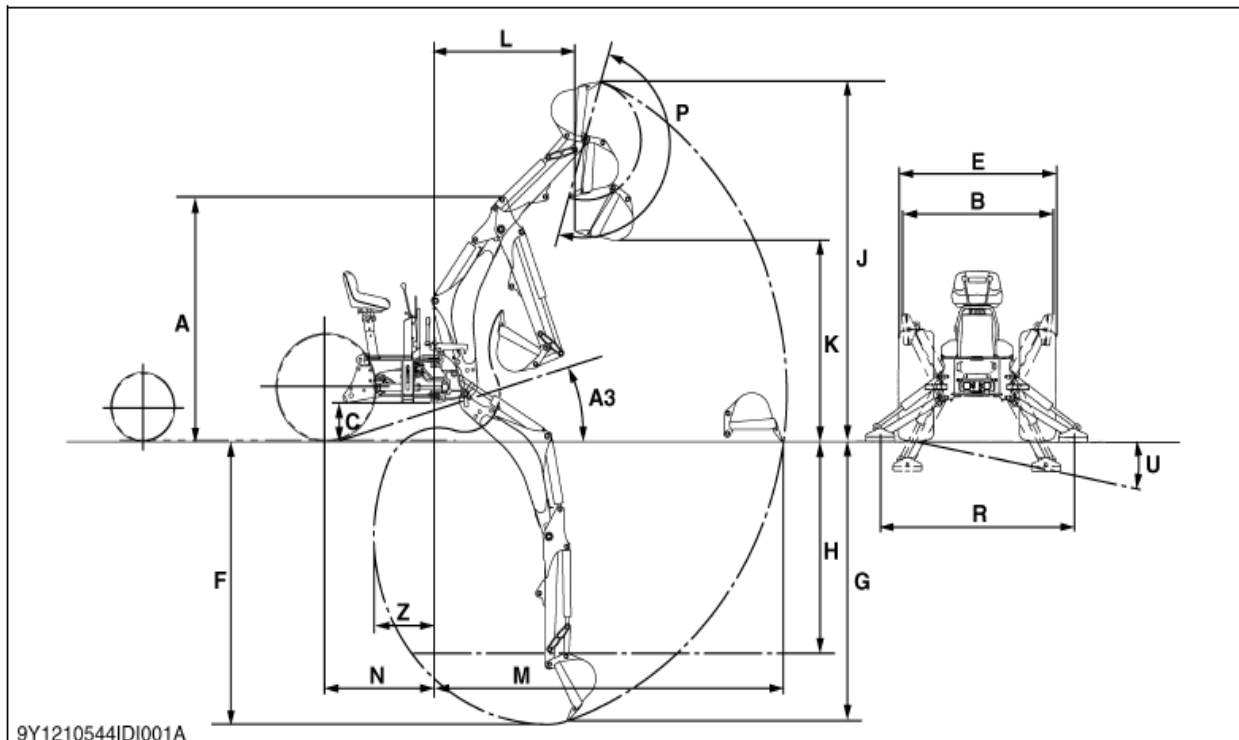


BACKHOE SPECIFICATIONS		
MODEL	BH77	
Matching Tractor	L3560	
Digging force		
With bucket cylinder	lbs. (N)	3421 (15220)
With dipperstick cylinder	lbs. (N)	2190 (9738)
Cycle Time (seconds)		
Boom cylinder, extend	sec.	3.5
Boom cylinder, retract	sec.	3.1
Swing cylinder, from 90 deg	sec.	2.1
Dipperstick cylinder, extend	sec.	4.9
Dipperstick cylinder, retract	sec.	3.4
Bucket cylinder, extend	sec.	3.2
Bucket cylinder, retract	sec.	2.5
Stabilizer cylinder, lower	sec.	2.4
Stabilizer cylinder, raise	sec.	2.0



BACKHOE SPECIFICATIONS

MODEL			BH92
Matching Tractor			L60 Series
A	Transport height	in. (mm)	80.3 (2040)
B	Stabilizer spread - transport	in. (mm)	51.8 (1315)
C	Ground clearance	in. (mm)	11.5 (292)
E	Overall width	in. (mm)	54.9 (1394)
F	Maximum digging depth	in. (mm)	93.6 (2378)
G	Digging depth, 2 ft. flat bottom	in. (mm)	89.8 (2280)
H	Digging depth, 8 ft. flat bottom	in. (mm)	69.2 (1758)
J	Operating height, fully raised	in. (mm)	119.3 (3029)
K	Loading height	in. (mm)	65.7 (1669)
L	Loading reach	in. (mm)	50.8 (1290)
M	Reach from swing pivot	in. (mm)	124.3 (3156)
N	Swing pivot to rear axle center line	in. (mm)	37.6 (954)
P	Bucket rotation	deg.	180
R	Stabilizer spread - operating	in. (mm)	69.0 (1753)
A3	Angle of departure per SAE J1234	deg.	17.3
U	Leveling angle	deg.	10.2
	Swing arc	deg.	180



BACKHOE SPECIFICATIONS		
MODEL		BH92
Matching Tractor		L60 Series
Digging force		
With bucket cylinder	lbs. (N)	3421 (15220)
With dipperstick cylinder	lbs. (N)	2190 (9738)
Cycle Time (seconds)		
Boom cylinder, extend	sec.	3.5
Boom cylinder, retract	sec.	3.1
Swing cylinder, from 90 deg	sec.	2.1
Dipperstick cylinder, extend	sec.	4.9
Dipperstick cylinder, retract	sec.	3.4
Bucket cylinder, extend	sec.	3.2
Bucket cylinder, retract	sec.	2.5
Stabilizer cylinder, lower	sec.	2.4
Stabilizer cylinder, raise	sec.	2

