



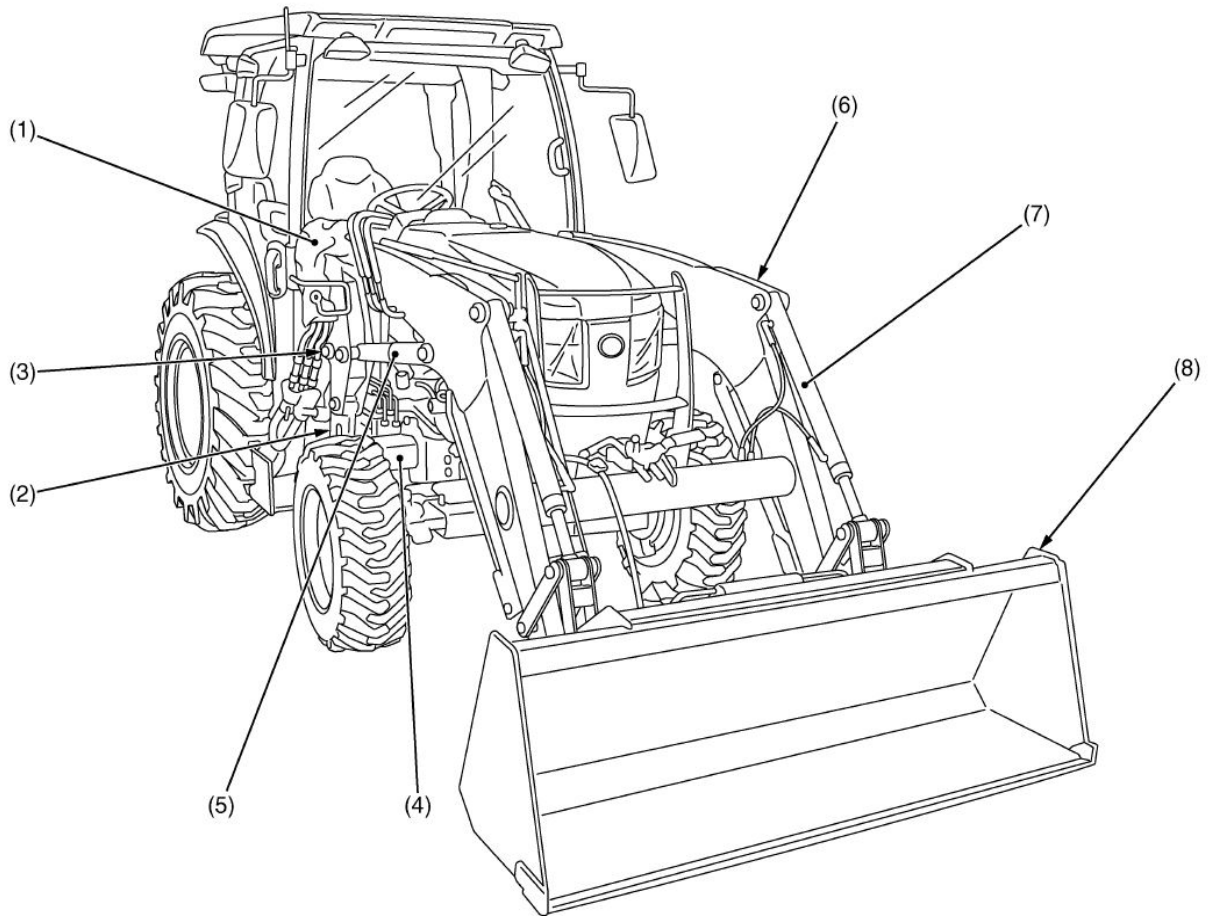
Kubota L60 Series

Detailed Loader Specifications

LA555, LA805, LA1055



Loader Terminology



- (1) Hydraulic Control Lever
- (2) Sub Frame
- (3) Mounting Pin
- (4) Main Frame
- (5) Boom Cylinder
- (6) Boom
- (7) Bucket Cylinder
- (8) Bucket

Specifications

Suitable Tractor

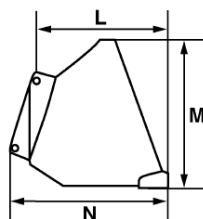
Loader Model	LA555	LA805	LA1055
Tractor Model	L3560	L3560, L4060	L4760, L5060, L5460, L6060

Loader Specifications

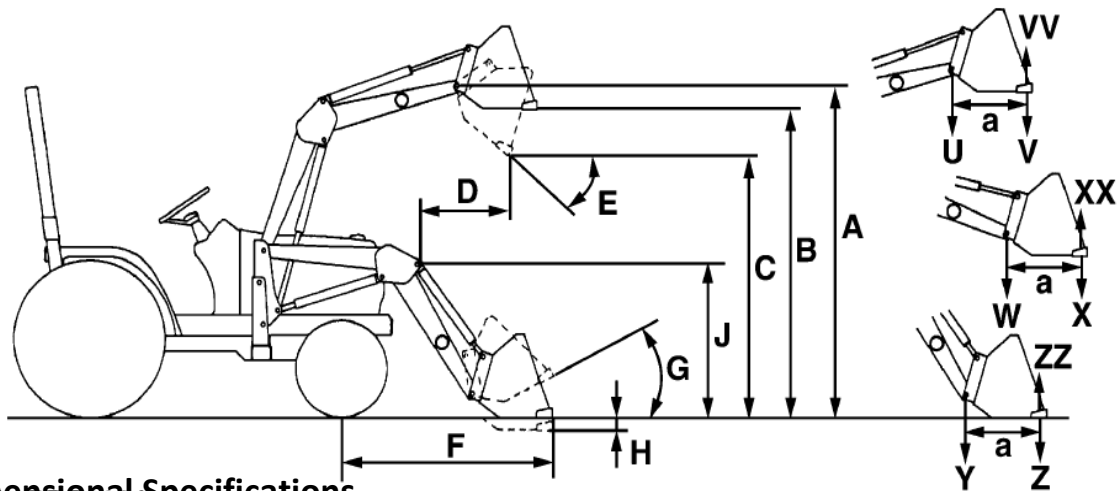
Loader Model		LA555	LA805	LA1055
Tractor Model		L3560	L4060	L6060
Wheel Base		71.1 in. (1805 mm)	74.6 in. (1895 mm)	75.4 in. (1915 mm)
Front Tires		7 - 16	8.3 - 16	9.5 - 16
Rear Tires		12.4 - 24	14.9 - 24	14.9 - 26
Boom Cylinder	Bore	45.0 mm (1.77 in.)	50.0 mm (1.97 in.)	60.0 mm (2.36 in.)
	Stroke	476 mm (18.7 in.)	520 mm (20.5 in.)	496 mm (19.5 in.)
Bucket Cylinder	Bore	45.0 mm (1.77 in.)	50.0 mm (1.97 in.)	55.0 mm (2.17 in.)
	Stroke	476 mm (18.7 in.)	466 mm (18.3 in.)	469 mm (18.5 in.)
Control Valve	4 position bucket control type	One Detent Float Position, Two-Stage Bucket Dump, Power Beyond Circuit		
Rated Flow		8.3 U.S. gals/min., 6.9 Imp. gals/min. (31.5 L/min.)	9.8 U.S. gals/min., 8.1 Imp. gals/min. (37.0 L/min.)	
Maximum Pressure		17.7 MPa (180 kgf/cm ² , 2560 psi)	18.1 MPa (185 kgf/cm ² , 2630 psi)	
Net Weight (Approximate)		1003 lbs. (455 kg)	1279 lbs. (580 kg)	1411 lbs. (640 kg)

Bucket Specifications

Loader Model		LA555	LA805		LA555, LA805, LA1055
Model		Square 66"	Square 72"	Round 72" HD	Square 72" Light Material
Type		Quick Attach	Quick Attach		Quick Attach
Width		66 in. (1675 mm)	72 in. (1830 mm)		
Depth "L"		18 in. (458 mm)	21.5 in. (547 mm)	18.8 in. (477 mm)	23.9 in. (607 mm)
Height "M"		22.1 in. (562 mm)	22.4 in. (570 mm)	23.9 in. (608 mm)	22.4 in. (570 mm)
Length "N"		21.4 in. (544 mm)	24.8 in. (630 mm)	24.0 in. (610 mm)	27.2 in. (691 mm)
Capacity	Struck	8.1 cu. ft. (.23 m ³)	10.9 cu. ft. (.31 m ³)		12.7 cu.ft. (.36 m ³)
	Heaped	9.9 cu. ft. (.28 m ³)	13.1 cu. ft. (.37 m ³)		16.0 cu.ft. (.45 m ³)
Weight		265 lbs. (120 kg)	331 lbs. (150 kg)	397 lbs. (180 kg)	300 lbs. (136 kg)



Dimensional and Operational Specifications



Dimensional Specifications

Loader Model		LA555	LA805	LA1055
Tractor Model		L3560	L4060	L6060
A	Maximum Lift Height (@ pivot pin)	96.4 in. (2448 mm)	104.7 in. (2659 mm)	112.7 in. (2863 mm)
B	Maximum Lift Height (level bucket)	89.6 in. (2277 mm)	96.8 in. (2459 mm)	104.8 in. (2662 mm)
C	Clearance with Bucket Dumped	75.9 in. (1928 mm)	80.0 in. (2033 mm)	87.2 in. (2216 mm)
D	Reach @ Maximum Lift Height	28.4 in. (721 mm)	23.3 in (591 mm)	26.3 in (667 mm)
E	Maximum Dump Angle	40 deg.	42 deg.	46 deg.
F	Reach with Bucket on Ground	66.6 in. (1691 mm)	69.4 in. (1763 mm)	77.8 in. (1975 mm)
G	Bucket Roll-Back Angle	30 deg.	41 deg.	42 deg.
H	Digging Depth	4.9 in. (124 mm)	5.1 in. (130 mm)	6.9 in. (174 mm)
J	Overall Height in Carry Position	52.7 in. (1338 mm)	54.4 in. (1383 mm)	57.0 in. (1447 mm)
a	Length	19.7 in. (500 mm)		

Operational Specifications

Loader Model		LA555	LA805	LA1055
Tractor Model		L3560	L4060	L6060
U	Lift Capacity to Maximum Height @ Bucket Pivot Pin	1190 lbs. (540 kg)	1715 lbs. (778 kg)	2361 lbs. (1071 kg)
V	Lift Capacity to Maximum Height @ 19.7 in. (500 mm) Forward	899 lbs. (408 kg)	1290 lbs. (585 kg)	1784 lbs. (809 kg)
W	Lift Capacity to 59 in. Height @ Bucket Pivot Pin	1603 lbs. (727 kg)	2202 lbs. (999 kg)	2974 lbs. (1349 kg)
X	Lift Capacity to 59 in. Height @ 19.7 in. (500 mm) Forward	1270 lbs. (576 kg)	1766 lbs. (801 kg)	2407 lbs. (1092 kg)
Y	Breakout Force @ Bucket Pivot Pin	2677 lbf (11906 N)	3301 lbf (14685 N)	4074 lbf (18120 N)
Z	Breakout Force @ 19.7 in. Forward	2030 lbf (9029 N)	2549 lbf (11341 N)	3171 lbf (14107 N)
VV	Bucket Roll-Back Force @ Max. Height	2111 lbf (9392 N)	2221 lbf (9881 N)	2527 lbf (11239 N)
XX	Bucket Roll-Back Force @ 59 in. Lift Height	2706 lbf (12037 N)	3392 lbf (15087 N)	3931 lbf (17486 N)
ZZ	Bucket Roll-Back Force @ Ground Level	2317 lbf (10308 N)	3622 lbf (16110 N)	4036 lbf (17952 N)

Loader Model	LA555	LA805	LA1055
Tractor Model	L3560	L4060	L6060
Raising Time	2.7 sec.	3.2 sec.	4.4 sec.
Lowering Time	2.2 sec.	2.0 sec.	3.0 sec.
Bucket Dumping Time	1.3 sec.	1.3 sec.	1.9 sec.
Bucket Roll-Back Time	1.6 sec.	1.9 sec.	2.4 sec.