



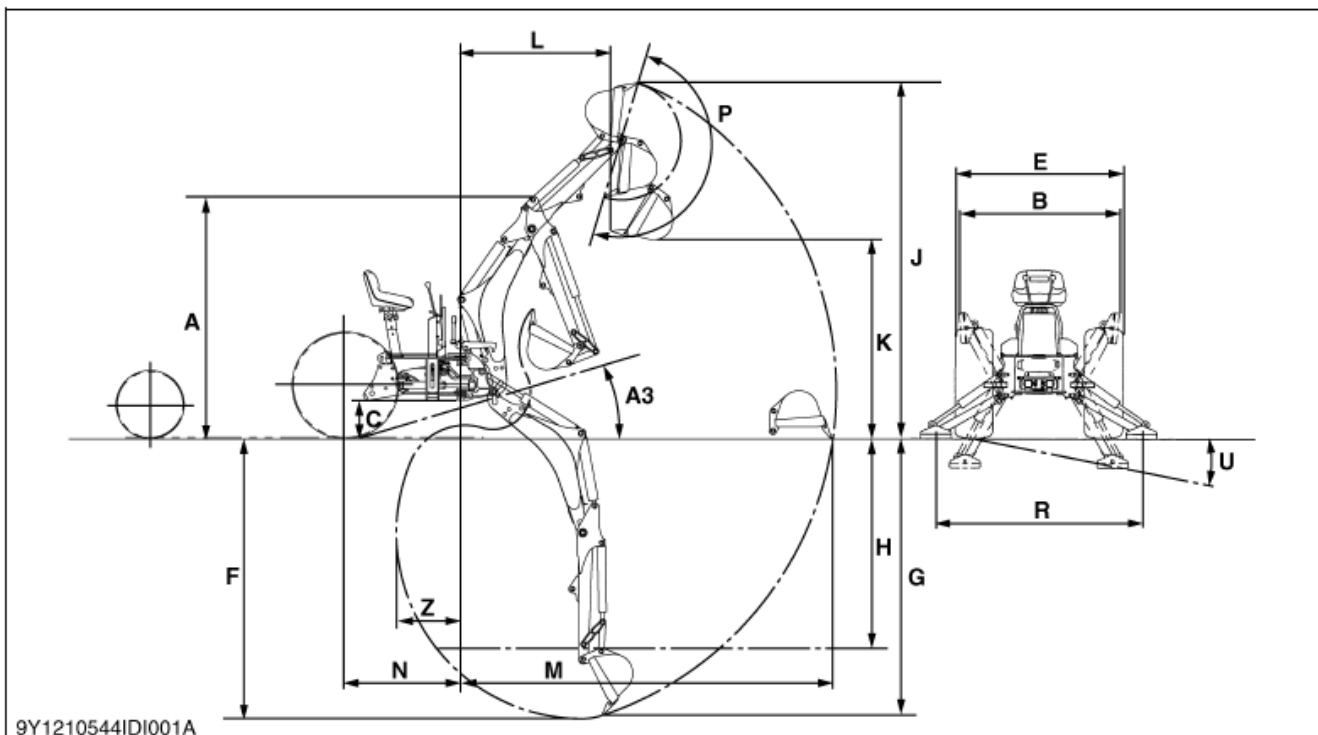
**KUBOTA UNIVERSITY**

# **Standard L Series Backhoe Specifications**

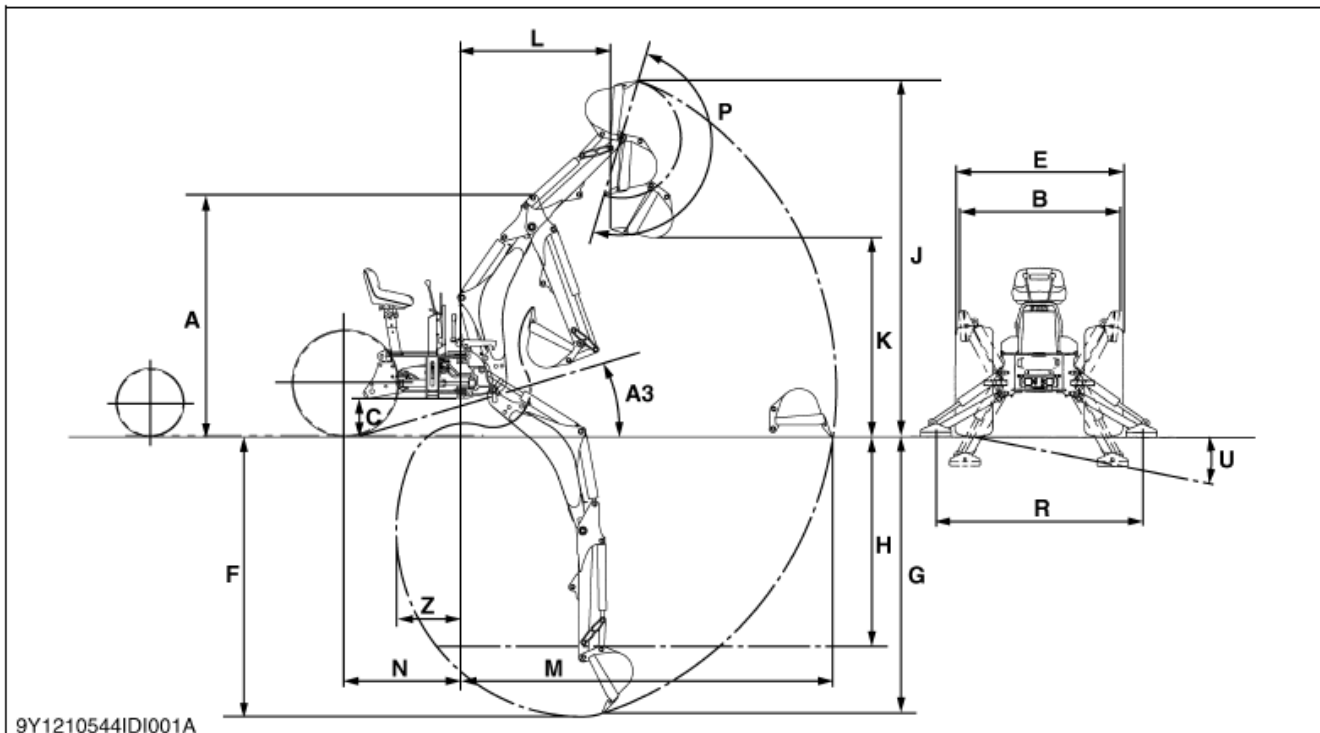
**Winter 2017**



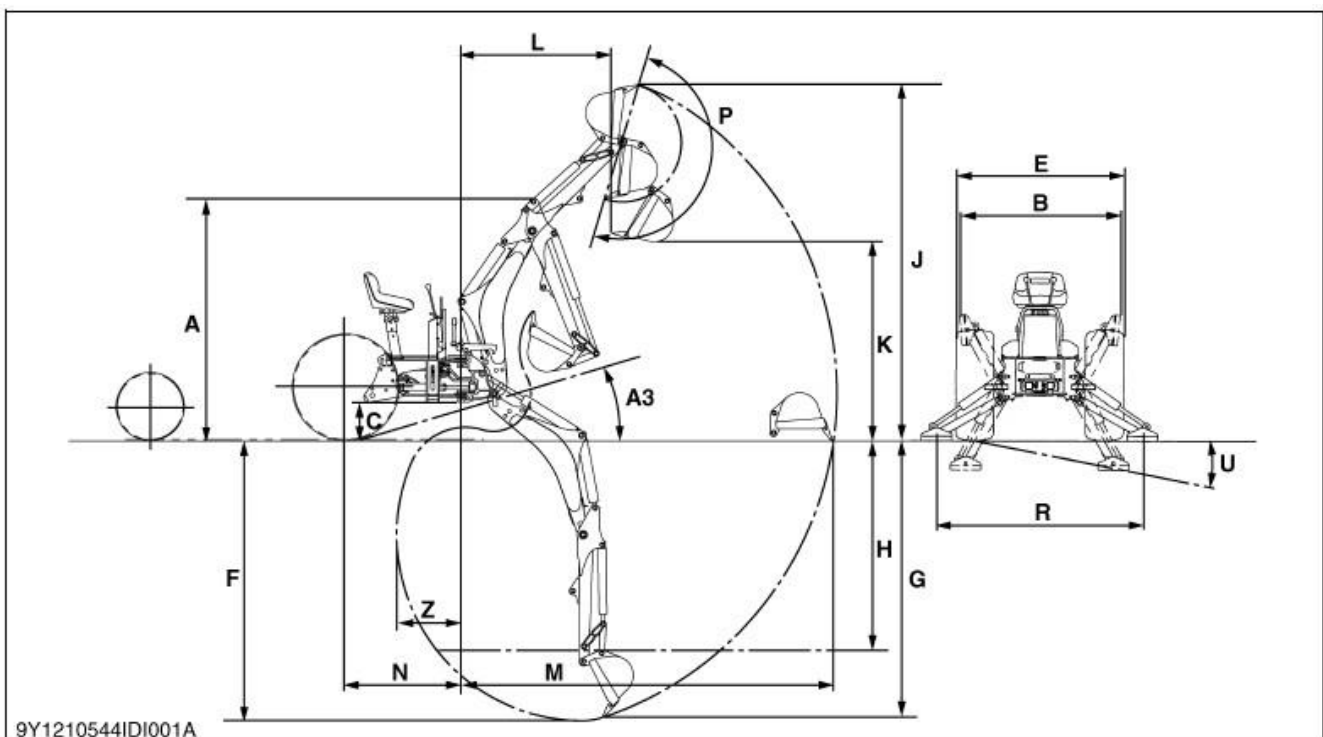
BACKHOE SPECIFICATIONS			
MODEL			BH77
Matching Tractor			L2501/L3301/L3901
A	Transport height	in. (mm)	80.3 (2040)
B	Stabilizer spread - transport	in. (mm)	51.8 (1315)
C	Ground clearance	in. (mm)	11.5 (292)
E	Overall width	in. (mm)	54.9 (1394)
F	Maximum digging depth	in. (mm)	93.6 (2378)
G	Digging depth, 2 ft. flat bottom	in. (mm)	89.8 (2280)
H	Digging depth, 8 ft. flat bottom	in. (mm)	69.2 (1758)
J	Operating height, fully raised	in. (mm)	119.3 (3029)
K	Loading height	in. (mm)	65.7 (1669)
L	Loading reach	in. (mm)	50.8 (1290)
M	Reach from swing pivot	in. (mm)	124.3 (3156)
N	Swing pivot to rear axle center line	in. (mm)	37.6 (954)
P	Bucket rotation	deg.	180
R	Stabilizer spread - operating	in. (mm)	69.0 (1753)
A3	Angle of departure per SAE J1234	deg.	17.3
U	Leveling angle	deg.	10.2
	Swing arc	deg.	180



BACKHOE SPECIFICATIONS		
MODEL		BH77
Matching Tractor		L2501/L3301/L3901
Digging force		
With bucket cylinder	lbs. (N)	3421 (15220)
With dipperstick cylinder	lbs. (N)	2190 (9738)
Cycle Time (seconds)		
Boom cylinder, extend	sec.	3.5
Boom cylinder, retract	sec.	3.1
Swing cylinder, from 90 deg	sec.	2.1
Dipperstick cylinder, extend	sec.	4.9
Dipperstick cylinder, retract	sec.	3.4
Bucket cylinder, extend	sec.	3.2
Bucket cylinder, retract	sec.	2.5
Stabilizer cylinder, lower	sec.	2.4
Stabilizer cylinder, raise	sec.	2



BACKHOE SPECIFICATIONS			
MODEL		BH92	
Matching Tractor		L4701	
A	Transport height	in. (mm)	100.1 (2542)
B	Stabilizer spread - transport	in. (mm)	69.2 (1758)
C	Ground clearance	in. (mm)	12.7 (323)
E	Overall width	in. (mm)	71.3 (1810)
F	Maximum digging depth	in. (mm)	110.9 (2816)
G	Digging depth, 2 ft. flat bottom	in. (mm)	109.8 (2789)
H	Digging depth, 8 ft. flat bottom	in. (mm)	91.0 (2312)
J	Operating height, fully raised	in. (mm)	148.6 (3775)
K	Loading height	in. (mm)	84.3 (2141)
L	Loading reach	in. (mm)	53.5 (1360)
M	Reach from swing pivot	in. (mm)	150.4 (3819)
N	Swing pivot to rear axle center line	in. (mm)	42.1 (1069)
P	Bucket rotation	deg.	180
R	Stabilizer spread - operating	in. (mm)	92.0 (2336)
A3	Angle of departure per SAE J1234	deg.	20.6
U	Leveling angle	deg.	10.6
	Swing arc	deg.	180



BACKHOE SPECIFICATIONS		
MODEL	BH92	
Matching Tractor	L4701	
Digging force		
With bucket cylinder	lbs. (N)	4548 (20230)
With dipperstick cylinder	lbs. (N)	2698 (12000)
Cycle Time (seconds)		
Boom cylinder, extend	sec.	3.9
Boom cylinder, retract	sec.	3.2
Swing cylinder, from 90 deg	sec.	1.8
Dipperstick cylinder, extend	sec.	3.7
Dipperstick cylinder, retract	sec.	2.7
Bucket cylinder, extend	sec.	2.9
Bucket cylinder, retract	sec.	1.9
Stabilizer cylinder, raise	sec.	1.2



## Legal Disclaimer

To the best of Kubota's knowledge, all information included in this presentation is either owned by Kubota or falls under the fair use or public domain guidelines of copyright law in the United States. Kubota strives for accuracy but cannot be held responsible for any errors in information featured in this presentation. Kubota notes that specifications and technical information is subject to change without notice and Kubota does not represent or warrant that the information in this presentation is completely accurate or current; however, Kubota used reasonable efforts to include accurate and up to date information in this presentation. Kubota disclaims all representations and warranties, whether express or implied, including, but not limited to, warranties of merchantability and fitness for a particular purpose. Kubota shall not be liable for any damages, whether compensatory, direct, indirect, incidental, special, or consequential, arising out of or in connection with the use of this presentation, or the information therein. If and to the extent any state does not permit the exclusion or limitation of liability for consequential or incidental damages, Kubota's liability, in such state, shall be limited to the fullest extent permitted by law.

The collection, arrangement and assembly of content in this presentation are the exclusive property of Kubota and are likewise protected by copyright and other intellectual property laws. Kubota asserts a claim of copyright for our compilations of presentation slides, their unique scope and style, our domains, our site design, HTML, database design, look and feel, and back-end code. Upon viewing any page under this presentation, you consent to this disclaimer. Copying, distributing, re-creating or any other unauthorized use of the content of this presentation without the express written consent of Kubota is strictly prohibited.