



VERSATILITY TO DO MORE

- 1 LOADER WORK
- 2 BACKHOE WORK
- 3 PALLET FORK
- 4 POWER RAKE
- 5 BOX BLADE
- 6 GRAPPLE

Kubota's Tractor Loader Backhoe (TLB) lineup represents three separate models to better accommodate the task at hand. Each model comes standard with a rear independent PTO. Transform these TLB's in moments to attach the rear three point linkage and Land Pride performance matched implements. The ability to use these as a traditional backhoe, or a traditional tractor, make them appealing to a wide range of customers.



Learn more about Kubota's full implement range by visiting [KubotaUSA.com/products/tractors/tractor-loader-backhoe](https://www.kubotausa.com/products/tractors/tractor-loader-backhoe)



KUBOTA TRACTOR CORPORATION
1000 Kubota Drive, Grapevine, TX 76051 | www.kubotausa.com

© 2023 Kubota Tractor Corporation | Part #: 326201

For Earth, For Life

TRACTOR LOADER BACKHOE



MEET THE TLB SERIES

B26 / L47 / M62

The TLB lineup consists of the B26, L47, and the M62. Each model varies in horsepower and size to better accommodate your needs. These machines provide the ultimate experience for the customer looking for one machine to do the work of three. The versatility of these machines give you the option to use the front loader, backhoe, or a three point linkage with a PTO.

These machines are designed and engineered by Kubota to target the needs of independent contractors, landscapers, and municipalities. Each high performance model delivers robust functionality for the customer that demands professional results.

KUBOTA BUILT DIESEL ENGINE

The TLB series is equipped with the Kubota-built diesel engines, and a Common-Rail System* (CRS), which enhances fuel economy and overall efficiency. Each offering their own horsepower range to accommodate you with the machine that best fits your needs.

Features include:

LOW NOISE AND LOW VIBRATION

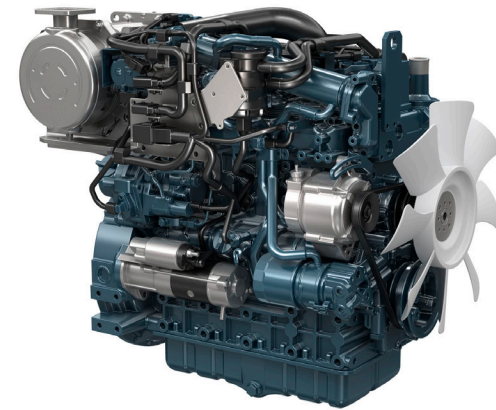
Proven performance minus the unnecessary noise and vibration. Engine components have been engineered with the operator in mind, resulting in an enhanced end user experience.

LEGACY

The Kubota designed and built diesel engine has a reputation that you can trust. These engines are designed to maximize performance, and eliminate unnecessary downtime.

HORSEPOWER RANGES**

B26	24.3 Engine HP / 19.5 PTO
L47	47.1 Engine HP / 33.0 PTO
M62	63.0 Engine HP / 59.1 PTO



* M62/L47 Models Only
** SAEJ1995 Gross Engine Power





TRACTOR LOADER BACKHOE

MANEUVERABILITY

Each of these machines feature an HST transmission, making loader work and overall maneuverability a breeze. Scooping, dumping, pushing, and back dragging just got simple.

EASE OF TRANSPORTATION*

With transporting weights of 7542 lbs (L47), and 4621 lbs (B26), the B26 & L47 can be transported on a 10,000-lb. GVWR trailer. This allows you to utilize a 3/4-ton pickup truck, for quick and efficient hauling to the next job site. (In most states)

* TLB weight includes Tractor, Front Loader, Backhoe, Std Front Loader Bucket, and 12" Backhoe Trenching Backhoe Bucket

THE ULTIMATE MULTI-TOOL

This is not your average backhoe. Each TLB can have the backhoe quickly removed allowing for the installation of the three point linkage, making it capable of performing traditional tractors tasks.



INTELLIPANEL™*

The large LCD panel is your one stop shop for all the machine's vital information. Here you can monitor the machine's health by keeping an eye on indicators, displays, sensor messages, engine conditions, fuel and oil warning signals, and a variety of maintenance indicators.

HYDRAULIC CIRCUIT-SWITCHING LEVER*

The hydraulic circuit-switching lever reduces hydraulic fluid heat build up by returning flow back to the tank when the backhoe is not in use.

REAR THREE POINT AND INDEPENDENT PTO

The rear three point hitch and independent PTO classify as the third operation (1. Loader , 2. Backhoe) engineered into the TLB lineup. By removing the backhoe, the three point linkage and independent rear PTO allow you to perform tasks you wouldn't traditionally perform with a standard backhoe.

HST PLUS*

The HST Plus feature is one of many that makes these machines unique in the TLB market. The HST itself makes loader work a walk in the park. The features below are just icing on the cake:

- Auto Throttle Advance
- HST Response Control
- Hydro Dual Speed (H-DS)
- Stall Guard Plus and Auto H-DS

AUTO THROTTLE ADVANCE

This function synchronizes tractor speed and engine revolution. This greatly simplifies tractor operation and helps reduce fuel consumption.

HST RESPONSE CONTROL

HST response control is used to set the start-up response when you step on the speed control pedal and the engine brake effect when you release the pedal.

HYDRO DUAL SPEED (H-DS) LEVER

This lever allows the tractor to shift between 2 stages (Speeds) whether the tractor is moving or stationary.

HST MODE SELECTION (STALL GUARD PLUS AND AUTO H-DS)

Kubota's Stall Guard PLUS protects the engine and PTO from stalling in heavy-duty applications. AUTO H-DS (Auto Hydro Dual Speed) enables automatic Hi/Lo shifting, and in conjunction with Stall Guard PLUS, keeps your tractor running optimally at all times.

* L47 & M62 Only



PERFORMANCE MATCHED KUBOTA-BUILT FRONT LOADERS

These performance matched front loaders work in perfect harmony with the rest of the machine, allowing both smooth and efficient loader operation. They're designed to take on heavy workloads, while maintaining the superior level of performance you would expect from Kubota.

2 LEVER QUICK COUPLER OPTIONS*

Kubota's 2-lever quick coupler lets you quickly and easily attach and detach front implements. With the optional hydraulic 2-lever quick coupler, you won't even need to leave your seat. Simply press two buttons to release the levers, back away from the now detached implement, move into the next implement, and press the buttons to re-engage the levers. Changing implements couldn't be easier!

THROTTLE-UP SWITCH*

Conveniently located on the loader joystick, this function allows you to increase engine speed temporarily, on demand, to increase hydraulic pump output. When this switch is engaged, the front attachment will raise and lower at a higher rate of speed. The desired engine rpm range for this function can also be set through the machines IntelliPanel™.

PERFORMANCE MATCHED KUBOTA-BUILT BACKHOES

MACHINE	BACKHOE	DIG DEPTH
B26	BT820	99.8"
L47	BT1000	121"
M62	BT1400	169.8"

BACKHOE CRAWLING MODE*

Conveniently located below the IntelliPanel™, the backhoe crawling mode lever allows you to creep forward or backwards with the touch of a finger. Simply engage the lever in the forwards or reverse position to relocate without turning the seat around to the forwards position.

FLIP-OVER STABILIZER PAD

Switch from the road-use side to steel anchors by simply rotating the unit by hand. Rubber pads are also offered on the M62 for additional traction on concrete applications.

QUICK-MOUNT ATTACH/DETACH

Remove or attach the rear backhoe with ease thanks to the simple design by the Kubota engineering team.

OPTIONAL QUICK COUPLER

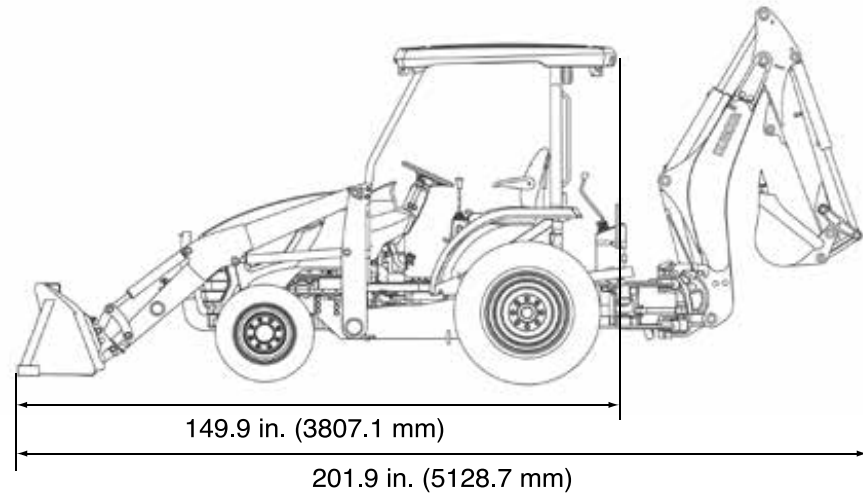
The backhoe quick coupler is perfect for the operator that regularly swaps buckets. Different size trenches are often needed amongst worksites, making the need to change buckets with ease a must.

* L47 & M62 Only

B26

Kubota's innovative compact tractor/loader/backhoe offers greater power, versatility, and durability with it's integrated loader and quick detach backhoe.

- Engine gross horsepower: 26.0 HP*
- PTO horsepower: 19.5 HP
- Front loader: 1102 lbs. lift capacity
- Backhoe: 99.8 in. max. digging depth
- Operating weight: 4621 lbs.
- Transmission: HST (3 range)
- Panel: Front type
- 3-point hitch: category I (optional)



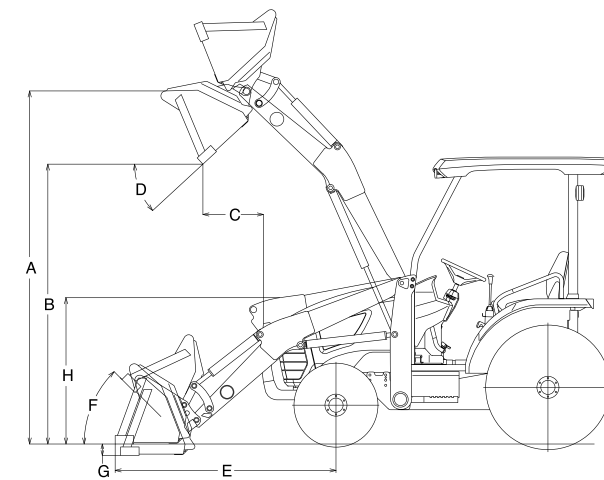
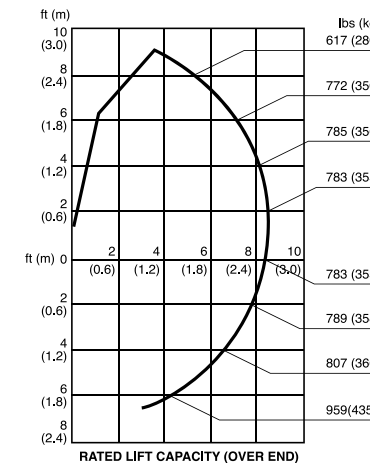
*SAE J1995 **SAE J1349
¹⁾ With round back loader bucket, 12" backhoe bucket and standard tires.
²⁾ Without brake ³⁾ With R4 tires

B26 TRACTOR SPECIFICATIONS

ENGINE	
Non-Road Emission STD	EPA Final Tier 4
Gross Power*	26.0 HP (19.4 kW)
Net Power**	23.3 HP (17.4 kW)
Total Displacement	68.5 cu.in. (1123 cm ³)
No. of Cylinders	3
Rated Speed	2800 RPM
Air Cleaner	Single element
Max. PTO Power	19.5 HP (14.5 kw)
Fuel Tank Capacity	8.1 gal (31 liters)
DIMENSIONS	
Tire Size	Front 23 x 8.5-14 R4 (IND)
	Rear 12.4-16 R4 (IND)
Wheelbase	62.2 in. (1581 mm)
	35.6 in (905 mm)
Tread	Front 41.3 in (1050 mm)
	Rear 41.3 in (1050 mm)
Weight with Loader, Loader Bucket, Backhoe, Backhoe Bucket, and ROPS/FOPS 4621 (2096) ¹⁾	
Min. Turning Radius ²⁾ 8.2 ft. (2.5 m)	
DRIVE TRAIN	
Rear PTO	Independent, 540 RPM
Power Steering	Hydrostatic
Brake Type	Wet disc
TRANSMISSION	
Type	HST Plus (3 range)
No. of Speeds	Infinite
Max. Traveling Speed ³⁾	11.1 mph (22.5 km/h)
Range Shift Lever Position	Seat side, right
HYDRAULICS	
Pump Capacity	7.0 GPM (26.3 L/min)
3-Point Hitch Lift Capacity at 24 in. (610 mm) Behind Lift Point	1676 lbs (760 kg)
Position Control	Standard
3-Point Hitch (Category I)	Optional
OTHER	
ROPS/FOPS (meets OSHA1926 1001/1003, ISO3471)	4 post, Standard
Hard Nose Slanted Hood	Standard
Back-up Alarm	Standard
Horn	Standard
Rear Axle Differential Lock	Standard
Loader-integrated Reinforced Frame	Standard
Reversible Seat	Standard
Tilt Steering	Standard
Deck	Walk-through deck
Glow Plug	Super glow

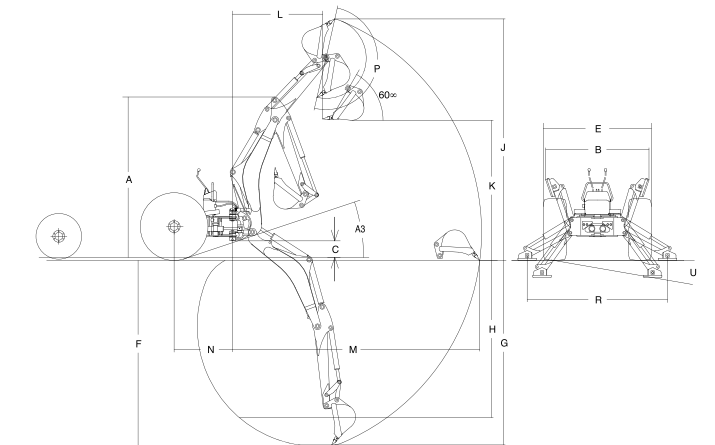
B26 TL500 LOADER SPECIFICATIONS

SPECS	
Lift Capacity to Max. Height at Pivot Pin	1301 lbs (590 kg)
Breakout Force at Pivot Pin	2343 lbs (10417 N)
Control Valve	One detent float position power beyond circuit
Net Weight (approx.)	628 lbs (285 kg)
Auto-leveling Mechanism	Mechanical spill guard
2 Lever Quick Coupler	Standard
OPERATING DIMENSIONS	
A. Maximum Lift Height to Pivot Pin	94.5 in. (2400 mm)
B. Clearance with Bucket Dumped	70.0 in. (1778 mm)
C. Reach at Maximum Height	22.3 in. (567 mm)
D. Maximum Dump Angle	45 deg.
E. Reach with Bucket on Ground	61.5 in. (1561 mm)
F. Bucket Rollback Angle	46 deg.
G. Digging Depth	7.0 in. (177 mm)
H. Overall Height in Carrying Position	49.5 in. (1258 mm)
PERFORMANCE RATINGS (NO LOAD)	
Raise to Full Height	3.5 sec.
Lowering Time	3.1 sec.
Attachment Rollback Time	3.0 sec.
Attachment Dumping Time	1.7 sec.
OTHER	
3rd Function Valves	Optional 7.0 GPM



B26 BT820 BACKHOE SPECIFICATIONS

SPECS	
Digging Force Using Bucket Cylinder (approx.)	4210 lbs (18731 N)
Digging Force Using Dipperstick Cylinder (approx.):	2123 lbs (9444 N)
Trunnion Type Boom Swing Mechanism	Two cylinders
Net Weight (approx.)	1025 lbs (465 kg)
OPERATING DIMENSIONS	
A. Transport Height	89.1 in. (2264 mm)
B. Stabilizer Spread-transport	53.0 in. (1347 mm)
C. Ground Clearance	11.3 in. (287 mm)
E. Overall Width	53.7 in. (1365 mm)
F. Digging Depth, Maximum	99.8 in. (2535 mm)
G. Digging Depth, 2ft. Flat Bottom	98.3 in. (2498 mm)
H. Digging Depth, 8ft. Flat Bottom	77.0 in. (1957 mm)
J. Operating Height, Fully Raised	129.8 in. (3298 mm)
K. Loading Height	77.3 in. (1963 mm)
L. Loading Reach	52.1 in. (1324 mm)
M. Reach from Swing Pivot	133.9 in. (3400 mm)
N. Swing Pivot to Rear Axle Center Line	33.7 in. (855 mm)
P. Bucket Rotation	181.2 deg.
X. Swing Arc	180 deg.
R. Stabilizer Spread-operating	83.3 in. (2116 mm)
A3. Angle of Departure per SAE J1234	20.3 deg.
U. Leveling Angle	10.7 deg.
OTHER	
Auxiliary Hydraulic Valve	Optional 7.0 GPM

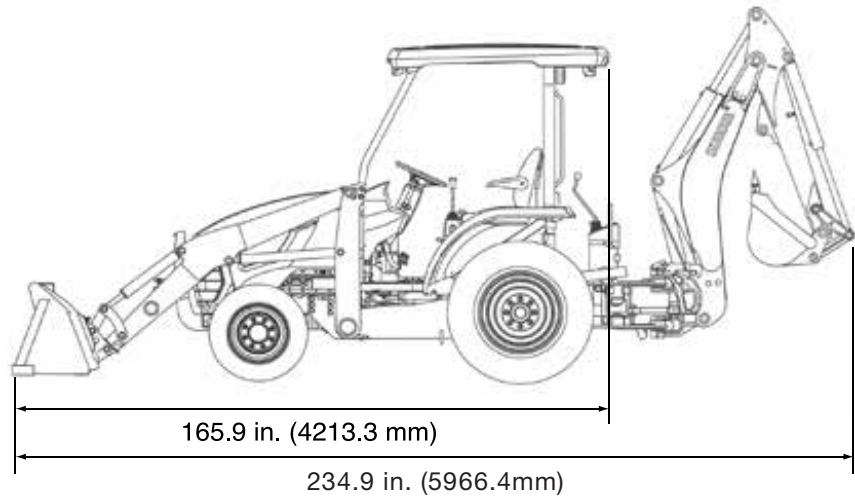


Tires applied: 23 x 8.50 -14R4 (Front) and 12.4 -16R4 (Rear). The specifications are taken with KUBOTA's B26 tractor. Tire applied: 23 x 8.50-14 R4 (Front) and 12.4-16 R4 (Rear)
 The company reserves the right to change the above specifications without notice. This brochure is for descriptive purposes only. Please contact your local Kubota dealer for warranty information. For your safety, KUBOTA strongly recommends the use of a Rollover Protective Structure (ROPS) and seat belt in almost all applications. For complete operational information, the operator's manual should be consulted.

L47

Sporting an HST Plus transmission and packed with power, the L47 tractor/loader/backhoe is ideal for rental users, contractors, landscapers and homeowners seeking professional results.

- Engine gross horsepower: 47.1 HP*
- PTO horsepower: 33.0 HP
- Front loader: 2848 lbs. lift capacity
- Backhoe: 121 in. max. digging depth
- Operating weight: 7542 lbs.
- Transmission: HST Plus (6 range)
- Panel: Side IntelliPanel™
- 3-point hitch: category I (optional)



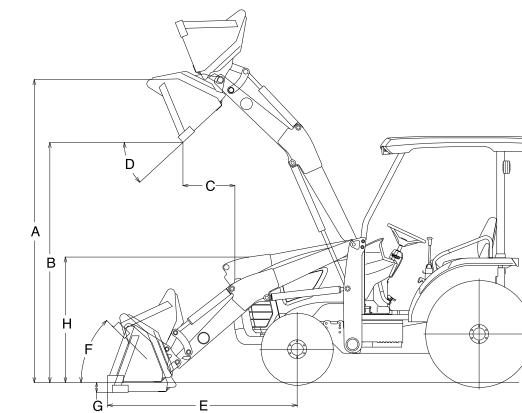
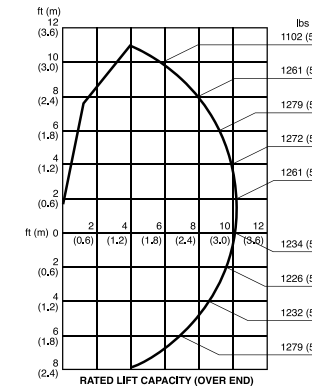
*SAE J1995 **SAE J1349
 *) With round back loader bucket, 18" backhoe bucket and standard tires.
 **) With brake

L47 TRACTOR SPECIFICATIONS

ENGINE		
Non-Road Emission STD	EPA Final Tier 4	
Gross Power*	47.1 HP (35.1 kW)	
Net Power**	46.4 HP (34.6 kW)	
Total Displacement	148.5 cu.in. (2434 cm ³)	
No. of Cylinders	4	
Rated Speed	2700 RPM	
Air Cleaner	Dual element	
Max. PTO Power	33.0 HP (24.6 kW)	
Fuel Tank Capacity	17.7 gal (67 liters)	
DIMENSIONS		
Tire Size	Front	27 x 10.5-15R4
	Rear	15-19.5R4
Wheelbase	Front	72.5 in (1841 mm)
	Rear	45.9 in (1165 mm)
Tread	Front	56.1 in (1426 mm)
	Rear	56.1 in (1426 mm)
Weight with Loader, Loader Bucket, Backhoe, Backhoe Bucket, and ROPS/FOPS		7542lbs (3421 kg)
Min. Turning Radius ⁽²⁾		9.2 ft. (2.8 m)
DRIVE TRAIN		
Rear PTO	Independent, 540 RPM	
Power Steering	Hydrostatic	
Brake Type	Wet disc	
TRANSMISSION		
Type	HST Plus (6 range)	
No. of Speeds	Infinite	
Max. Traveling Speed	14 mph (22.5 km/h)	
Range Shift Lever Position	Seat side, right	
HYDRAULICS		
Pump Capacity	11.5 GPM (44.5 l/min)	
3-Point Hitch Lift Capacity at 24 in. (610 mm) Behind Lift Point	2756 lbs (1250 kg)	
Position Control	Standard	
3-Point Hitch (Category I)	Optional	
OTHER		
ROPS/FOPS (meets OSHA1926 1001/1003, ISO3471)	4 post, Standard	
Hard Nose Slanted Hood	Standard	
Back-up Alarm	Standard	
Horn	Standard	
Rear Axle Differential Lock	Standard	
Loader-integrated Reinforced Frame	Standard	
Reversible Seat	Standard	
Tilt Steering	Standard	
Deck	Walk-through deck	
Glow Plug	Super glow	

L47 TL1300 LOADER SPECIFICATIONS

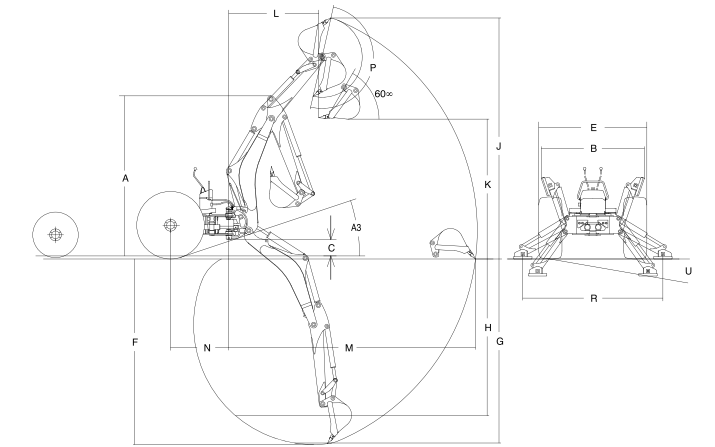
SPECS		
Lift Capacity to Max. Height at Pivot Pin	2848 lbs (1292 kg)	
Breakout Force at Pivot Pin	4531 lbs (20153 N)	
Control Valve	One detent float position power beyond circuit hydraulic dual self-leveling valve	
Net Weight (approx.)	960 lbs (435 kg)	
Auto-leveling Mechanism	Standard, Hydraulic	
2 Lever Quick Coupler	Standard	
OPERATING DIMENSIONS		
A. Maximum Lift Height to Pivot Pin	113.9 in (2893 mm)	
B. Clearance with Bucket Dumped	90.0 in (2287 mm)	
C. Reach at Maximum Height	16.6 in (422 mm)	
D. Maximum Dump Angle	44 deg.	
E. Reach with Bucket on Ground	68.5 in (1739 mm)	
F. Bucket Rollback Angle	48 deg.	
G. Digging Depth	3.5 in (89 mm)	
H. Overall Height in Carrying Position	55.2 in (1402 mm)	
PERFORMANCE RATINGS (No load self-leveling, max 2900 RPM)		
	ON	OFF
Raise to Full Height	3.6 sec.	3.2 sec
Lowering Time	5.8 sec.	2.9 sec
Attachment Rollback Time	1.9 sec	1.9 sec
Attachment Dumping Time	2.2 sec	2.2 sec
OTHER		
Boom Stopper (meets OSHA1926.600)	Standard	
3rd Function Valves	Optional 11.5 GPM	



*Tires applied: 27 x 10.5-15R4 (Front) and 15-19.5R4 (Rear). *The specifications are taken with Kubota's L47 tractor. *Tire size: 27 x 10.5-15R4 (Front) and 15-19.5R4 (Rear). The company reserves the right to change the above specifications without notice. This brochure is for descriptive purposes only. Please contact your local Kubota dealer for warranty information. For your safety, KUBOTA strongly recommends the use of a Rollover Protective Structure (ROPS) and seat belt in almost all applications. For complete operational information, the operator's manual should be consulted.

L47 BT1000B BACKHOE SPECIFICATIONS

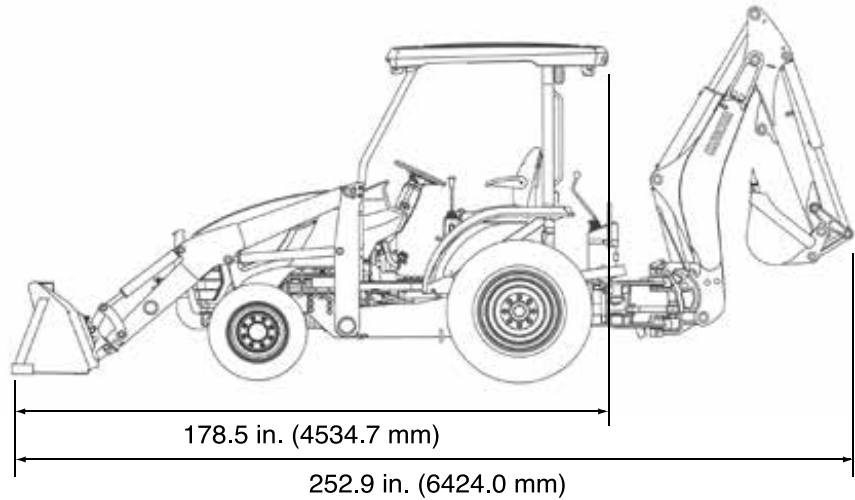
SPECS	
Digging Force Using Bucket Cylinder (approx.)	5825 lbs (25892 N)
Digging Force Using Dipperstick Cylinder (approx.):	3779 lbs (16797 N)
Trunnion Type Boom Swing Mechanism	Two cylinders
Net Weight (approx.)	1660 lbs (753 kg)
OPERATING DIMENSIONS	
A. Transport Height	106.3 in (2700 mm)
B. Stabilizer Spread-transport	67.5 in (1714 mm)
C. Ground Clearance	12.3 in (312 mm)
E. Overall Width	71.2 in (1809 mm)
F. Digging Depth, Maximum	121.0 in (3073 mm)
G. Digging Depth, 2ft. Flat Bottom	120.0 in (3048 mm)
H. Digging Depth, 8ft. Flat Bottom	102.2 in (2596 mm)
J. Operating Height, Fully Raised	157.2 in (3993 mm)
K. Loading Height	92.9 in (2359 mm)
L. Loading Reach	54.6 in (1386 mm)
M. Reach from Swing Pivot	160.9 in (4087 mm)
N. Swing Pivot to Rear Axle Center Line	38.0 in (965 mm)
P. Bucket Rotation	180 deg.
X. Swing Arc	180 deg.
R. Stabilizer Spread-operating	89.3 in (2268 mm)
A3. Angle of Departure per SAE J1234	19.2 deg.
U. Leveling Angle	10.0 deg.
OTHER	
Auxiliary Hydraulic Valve	Optional 11.5 GPM



M62

The M62's powerful 63HP engine and performance-matched loader and backhoe offer professional results on everything from landscaping jobs to construction sites.

- Engine gross horsepower: 63.0 HP*
- PTO horsepower: 46.0 HP
- Front loader: 3960 lbs. lift capacity
- Backhoe: 169.8 in. max. digging depth
- Operating weight: 8806 lbs.
- Transmission: HST Plus (6 range)
- Panel: Side IntelliPanel™
- 3-point hitch: category I & II (optional)



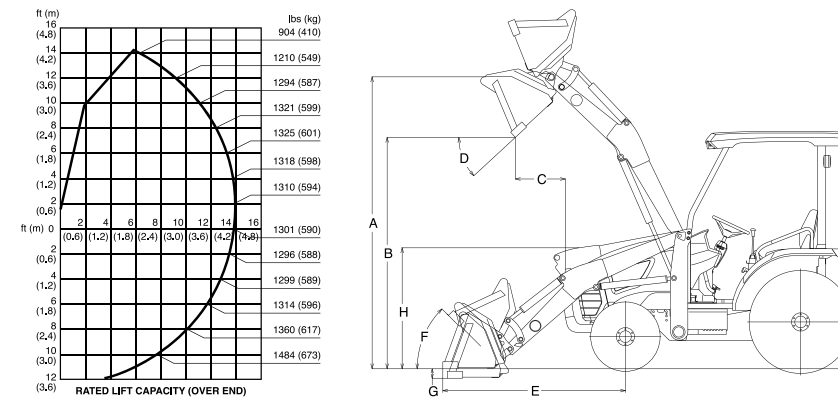
*SAE J1995 **SAE J1349
[†]1) With round back loader bucket, 12" backhoe bucket and standard tires.
[‡]2) With brake

M62 TRACTOR SPECIFICATIONS

ENGINE	
Non-Road Emission STD	EPA Final Tier 4
Gross Power*	63.0 HP (47.0 kw)
Net Power**	62.1 HP (46.3 kW)
Total Displacement	148.5 cu.in. (2434 cm ³)
No. of Cylinders	4
Rated Speed	2700 RPM
Air Cleaner	Dual element
Max. PTO Power	46.0 HP (34.3 kW)
Fuel Tank Capacity	17.7 gal (67 liters)
DIMENSIONS	
Tire Size	Front 10 x 16.5-R4
	Rear 17.5L-24 R4
Wheelbase	80.7 in. (2050 mm)
	56.7 in (1440 mm)
Tread	Front 57.6 in (1462 mm)
	Rear 57.6 in (1462 mm)
Weight with Loader, Loader Bucket, Backhoe, Backhoe Bucket, and ROPS/FOPS 8806 (3994) [†]	
Min. Turning Radius [‡] 10.8 ft. (3.3 m)	
DRIVE TRAIN	
Rear PTO	Independent, 540 RPM
Power Steering	Hydrostatic
Brake Type	Wet disc
TRANSMISSION	
Type	HST PLUS (6 range)
No. of Speeds	Infinite
Max. Traveling Speed	15.7 mph (24.7 km/h)
Range Shift Lever Position	Seat side, right
HYDRAULICS	
Pump Capacity	16.0 GPM (66.1 l/min)
3-Point Hitch Lift Capacity at 24 in. (610 mm) Behind Lift Point	2976 lb (1350 kg)
Position Control	Standard
3-Point Hitch (Category I)	Optional
OTHER	
ROPS/FOPS (meets OSHA1926 1001/1003, ISO3471)	4 post, Standard
Hard Nose Slanted Hood	Standard
Back-up Alarm	Standard
Horn	Standard
Rear Axle Differential Lock	Standard
Loader-integrated Reinforced Frame	Standard
Reversible Seat	Standard
Tilt Steering	Standard
Deck	Walk-through deck
Glow Plug	Super glow

M62 TL1800 LOADER SPECIFICATIONS

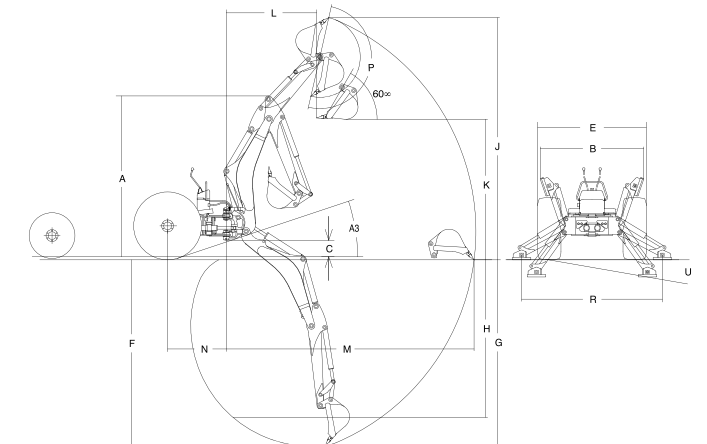
SPECS		
Lift Capacity to Max. Height at Pivot Pin	3960 lbs (1796 kg)	
Breakout Force at Pivot Pin	5992 lbs (26654 N)	
Control Valve	One detent float position power beyond circuit	
	hydraulic dual self-leveling valve	
Net Weight (approx.)	1169 lbs (530 kg)	
Auto-leveling Mechanism	Standard, Hydraulic	
2 Lever Quick Coupler	Standard	
OPERATING DIMENSIONS		
A. Maximum Lift Height to Pivot Pin	126.1 in. (3203 mm)	
B. Clearance with Bucket Dumped	95.0 in. (2412 mm)	
C. Reach at Maximum Height	24.1 in. (612 mm)	
D. Maximum Dump Angle	43 deg.	
E. Reach with Bucket on Ground	71.7 in. (1821 mm)	
F. Bucket Rollback Angle	45 deg.	
G. Digging Depth	2.7 in. (69 mm)	
H. Overall Height in Carrying Position	63.0 in. (1600 mm)	
PERFORMANCE RATINGS (No load self-leveling, max 2900 RPM)		
Raise to Full Height	4.2 sec.	3.9 sec
Lowering Time	4.3 sec.	3.1 sec
Attachment Rollback Time	2.4 sec	2.4 sec
Attachment Dumping Time	2.4 sec	2.4 sec
OTHER		
Boom Stopper (meets OSHA1926.600)	Standard	
3rd Function Valves	Optional 16.0 GPM	



*Tires applied: 10 x 16.5-15R4 (Front) and 17.5L-24R4 (Rear). *The specifications are taken with Kubota's M62 tractor. *Tire size: 10-16.5 R4 (Front) and 17.5L-24 R4 (Rear)
 The company reserves the right to change the above specifications without notice. This brochure is for descriptive purposes only. Please contact your local Kubota dealer for warranty information. For your safety, KUBOTA strongly recommends the use of a Rollover Protective Structure (ROPS) and seat belt in almost all applications. For complete operational information, the operator's manual should be consulted.

M62 BT1400 BACKHOE SPECIFICATIONS

SPECS	
Digging Force Using Bucket Cylinder (approx.)	6572 lbs (29234 N)
Digging Force Using Dipperstick Cylinder (approx.):	4657 lbs (20715 N)
Trunnion Type Boom Swing Mechanism	Two cylinders
Net Weight (approx.)	1956 lbs (887 kg)
OPERATING DIMENSIONS	
A. Transport Height	136.0 in. (3445 mm)
B. Stabilizer Spread-transport	67.5 in. (1707 mm)
C. Ground Clearance	13.8 in. (352 mm)
E. Overall Width	75.0 in. (1905 mm)
F. Digging Depth, Maximum	169.8 in. (4312 mm)
G. Digging Depth, 2ft. Flat Bottom	168.4 in. (4277 mm)
H. Digging Depth, 8ft. Flat Bottom	154.7 in. (3929 mm)
J. Operating Height, Fully Raised	202.9 in. (5153 mm)
K. Loading Height	130.9 in. (3325 mm)
L. Loading Reach	82.0 in. (2083 mm)
M. Reach from Swing Pivot	211.1 in. (5361 mm)
N. Swing Pivot to Rear Axle Center Line	39.7 in. (1008 mm)
P. Bucket Rotation	180 deg.
X. Swing Arc	180 deg.
R. Stabilizer Spread-operating	89.3 in. (2268 mm)
A3. Angle of Departure per SAE J1234	20.4 deg.
U. Leveling Angle	10.0 deg.
OTHER	
Auxiliary Hydraulic Valve	Optional 16.0 GPM



SPECIFICATIONS

MODEL		B26	L47	M62
ENGINE				
Engine Type (Kubota, liquid-cooled, diesel)		E-TVCS, 3-cylinder, Tier 4 Final		EPA Tier 4 Final
No. of Cylinders		3		4
Gross Power	<i>HP (kW)</i>	24.3 (18.1) (SAE)	47.1 (35.1) (97/68/EC)	63.0 (47.0) (SAE)
Net Power	<i>HP (kW)</i>	23.1 (17.2) (SAE)	46.4 (34.6) (ECE-R24)	62.1 (46.3) (SAE)
Max PTO Power	<i>HP (kW)</i>	19.5 (14.5)	33.0 (24.6)	46.0 (34.3)
Total Displacement	<i>cu.in (cm)</i>	68.5 (1123)*3		
Rated Speeds	<i>RPM</i>	2800		2700
Fuel Tank Capacity	<i>gal (ℓ)</i>	8.2 (31)		17.7 (67)
Air Cleaner		Single element		Dual element
TRANSMISSION				
Type		HST (3 range)		HST Plus (6 range)
No. of Speeds		Infinite		
Max. Traveling Speed	<i>mph (km/h)</i>	11.1 (17.8)	14 (22.5)	15.4 (24.7)
Range Shift Lever Position		Seat side, left		Seat side, right
Brake Type		Wet disc		
Clutch		N/A		
Power Steering		Hydrostatic		
PTO				
Rear PTO	<i>gpm (ℓ/min.)</i>	540 RPM, Independent		
HYDRAULICS				
Pump Capacity	<i>gpm (ℓ/min.)</i>	11.1 (42.0)*2	11.75 GPM (44.5 l/min) ²	17.5 (66.1) ²
3-Point Hitch Lift Capacity at 24 in. (610 mm) Behind Lift Point	<i>lbs. kgf</i>	1676 (760)	2756 (1250)	2976 (1350)
Position Control		Standard		
3-Point Hitch (Category I)		Optional		

B26 – *1) With round back loader bucket, 12" backhoe bucket and standard tires *2) 6.9 GPM for loader/backhoe, 4.2 GPM for backhoe boom *3) Without brake

L47 – *1) With round back loader bucket, 12" backhoe bucket and standard tires *2) 11.8 GPM for loader/backhoe, 6.6 GPM for backhoe boom swing, 6.6 GPM for power steering *3) With brake

M62 – *1) With round back loader bucket, 12" backhoe bucket and standard tires *2) 16 GPM for loader/backhoe, 8.3 GPM for backhoe boom swing, 6.6 GPM for power steering *3) With brake

MODEL		B26	L47	M62
OTHER FEATURES				
Hard Nose Slanted Hood		Standard		
Back-up Alarm		Standard		
Horn		Standard		
Rear Axle Differential Lock		Standard		
Loader-integrated Reinforced Frame		Standard		
Reversible Seat		Standard		
Tilt Steering		Standard		
Deck		Full-floating ISO-mounted flat deck	Walk-through deck	
Glow Plug		Super glow		
STANDARD TIRE SIZE				
Front		23 x 8.5-14 R4	27 x 10.5-15 R4	10 x 16.5-R4
Rear		12.4-16 R4	15-19.5 R4	17.5L-24 R4
DIMENSIONS & WEIGHT				
Overall Length (w/ backhoe)	<i>in. (mm)</i>	198.0 (5029)	233.9 (5941)	252.9 (6423)
Overall Width (w/ loader)	<i>in. (mm)</i>	60.0 (1524)	72.5 (1841)	84.8 (2153)
Wheelbase	<i>in. (mm)</i>	62.2 (1581)	72.5 (1841)	80.7 (2050)
Weight with Loader, Loader Bucket, Backhoe, Backhoe Bucket, and ROPS/FOPS	<i>lbs. (kg)</i>	4621 (2096) ^{*1}	7542 (3421) ^{*1}	8806 (3994) ^{*1}
Tread Width	Front	<i>in. (mm)</i>	35.6 (905)	45.9 (1165)
	Rear	<i>in. (mm)</i>	41.3 (1050)	56.1 (1426)
Min. Turning Radius	<i>ft. (m)</i>	8.2 (2.5)*3	9.2 (2.8)*3	10.8 (3.3)*3

¹SAEJ1995 ²w/ Frontguard, w/ control valve assy

Kubota Tractor Corporation reserves the right to change the stated specifications without notice. This brochure is for descriptive purposes only and reasonable efforts were used to set forth the contained information; some items shown may be optional and some products shown may not be available at all dealerships. Kubota disclaims all representations and warranties, express or implied, or any liability from the use of this brochure. For complete warranty, safety and product information, consult your local Kubota dealer and the operator's manual. Power (HP/KW) and other specifications are based on various standards or recommended practices. For your safety, Kubota strongly recommends the use of a Rollover Protective Structure (ROPS) and seat belt in almost all applications. This brochure is intended for the United States and US territories only. For information regarding Kubota products or services outside these areas, see Kubota Corporation's global web site. Kubota does not provide parts, warranty or service for any Product which is re-sold or retailed in any country other than the country for which the Product(s) were designed or manufactured.

