



KUBOTA TRACTOR CORPORATION

1000 Kubota Drive, Grapevine, TX 76051 | www.KubotaUSA.com



© 2023 Kubota Tractor Corporation | Part #: 326201



SNOW IMPLEMENTS



SNOW IMPLEMENTS

TABLE OF CONTENTS

BX SERIES	2-7
B01 SERIES	8-11
LX SERIES	12-17
L60LE / L60 SERIES	18-27



BX SERIES



BX SNOW IMPLEMENTS

KUBOTA 4-POINT FRONT QUICK HITCH

PART NUMBER: BX2810

Quickly connect or disconnect front PTO-Driven attachments with the easy-to-use 4-point front quick hitch

REQUIREMENTS

- Mid Mount Mower Decks and Bracing must be removed to install hitch



BX1880



50" TWO-STAGE RESIDENTIAL SNOW BLOWER

PART NUMBER: BX2816A

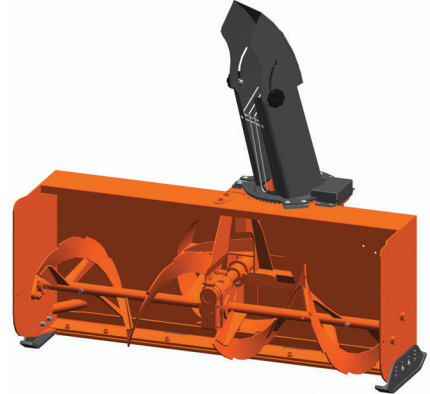
2 stage residential snowblower with manual chute rotation and manual chute deflection, chain reduction, 4-blade impeller

REQUIREMENTS

- BX2810 Quick Hitch
- BX2811 Mid PTO Driveline
- BX2417A Loader Valve (if not equipped)

AVAILABLE ACCESSORIES

- BX2818A Hydraulic Chute Rotation
- BX2819A Electric Chute Rotation Kit
- BX2820A Electric Chute Deflector Kit
- BX2821A Hydraulic Chute Deflector Kit
- BX2817 Hard Plastic Shoes and Cutting Edge
- GR2714 Drift Cutters



48" TWO-STAGE COMMERCIAL SNOW BLOWER

PART NUMBER: BX2830

Commercial snowblower with hydraulic chute rotation and manual chute deflector. Equipped with replaceable and reversible carbon steel cutting edge

REQUIREMENTS

- BX2810 Quick Hitch
- BX2811 Mid PTO Driveline
- BX2417A Loader Valve (if not equipped)

AVAILABLE ACCESSORIES

- BX2820A Electric Chute Deflector Kit
- BX2821A Hydraulic Chute Deflector Kit
- BX2831 Hard Plastic Shoes and Cutting Edge
- BX5447 Drift Cutters



60" HEAVY DUTY ROTARY SWEEPER WITH HYD. ANGLE

PART NUMBER: BX2814A

Commercial sweeper featuring 24" polypropylene brush wafers, hydraulic angling, oscillation and angulation function

REQUIREMENTS

- BX2810 Quick Hitch
- BX2811 Mid PTO Driveline
- BX2417A Loader Valve (if not equipped)

AVAILABLE ACCESSORIES

- BX2815 Dust Deflector Kit



60" BLADE - HYD. ANGLE

PART NUMBER: BX2812A

Reinforced heavy-duty snow blade with hydraulic angling, reversible cutting edge

REQUIREMENTS

- BX2810 Quick Hitch
- BX2417A Loader Valve (if not equipped)

AVAILABLE ACCESSORIES

- BX2825 Skid Shoes
- BX2813 Rubber E

BX2380 / BX2680 / BX23S

50" TWO-STAGE RESIDENTIAL SNOW BLOWER

PART NUMBER: BX2816

2 stage residential snowblower with manual chute rotation and manual chute deflection, chain reduction, 4-blade impeller

REQUIREMENTS

- BX2810 Front Quick Hitch
- BX2811 Mid PTO Driveline
- BX2417A Loader Valve (if not equipped)

AVAILABLE ACCESSORIES

- BX2818A Hydraulic Chute Rotation
- BX2819A Electric Chute Rotation Kit
- BX2820A Electric Chute Deflector Kit
- BX2821A Hydraulic Chute Deflector Kit
- BX2817 Hard Plastic Shoes and Cutting Edge
- GR2714 Drift Cutters



48" TWO-STAGE COMMERCIAL SNOW BLOWER

PART NUMBER: BX2830

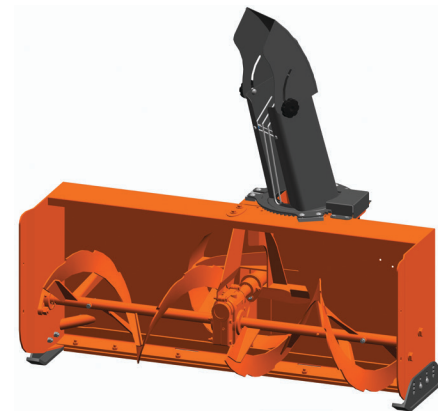
Commercial snowblower with hydraulic chute rotation and manual chute deflector. Equipped with replaceable and reversible cutting edge

REQUIREMENTS

- BX2810 Front Quick Hitch
- BX2811 Mid PTO Driveline
- BX2417A Loader Valve (if not equipped)

AVAILABLE ACCESSORIES

- BX2820A Electric Chute Deflector Kit
- BX2821A Hydraulic Chute Deflector Kit
- BX2831 Hard Plastic Shoes and Cutting Edge
- BX5447 Drift Cutters



55" TWO-STAGE COMMERCIAL SNOW BLOWER

PART NUMBER: BX2822A

Commercial snowblower with hydraulic chute rotation and manual chute deflection, oil bath reduction gear box. **NOTE: This snowblower is not compatible with the BX1880**

REQUIREMENTS

- BX2810 Front Quick Hitch
- BX2811 Mid PTO Driveline
- BX2417A Loader Valve (if not equipped)

AVAILABLE ACCESSORIES

- BX2820A Electric Chute Deflector Kit
- BX2821A Hydraulic Chute Deflector Kit
- BX2823 Hard Plastic Shoes and Cutting Edge
- BX5447 Drift Cutters



60" HEAVY DUTY ROTARY SWEEPER WITH HYD. ANGLE

PART NUMBER: BX2814A

Commercial sweeper featuring 24" polypropylene brush wafers, hydraulic angling, oscillation and angulation function

REQUIREMENTS

- BX2810 Front Quick Hitch
- BX2811 Mid PTO Driveline
- BX2417A Loader Valve (if not equipped)

AVAILABLE ACCESSORIES

- BX2815 Dust Deflector Kit



60" BLADE - HYD. ANGLE

PART NUMBER: BX2812A

Reinforced heavy-duty snow blade with improved curvature, hydraulic angling, reversible cutting edge

REQUIREMENTS

- BX2810 Front Quick Hitch
- BX2417A Loader Valve (if not equipped)

AVAILABLE ACCESSORIES

- BX2825 Skid Shoes
- BX2813 Rubber Edge





B01 SERIES



B01 SNOW IMPLEMENTS

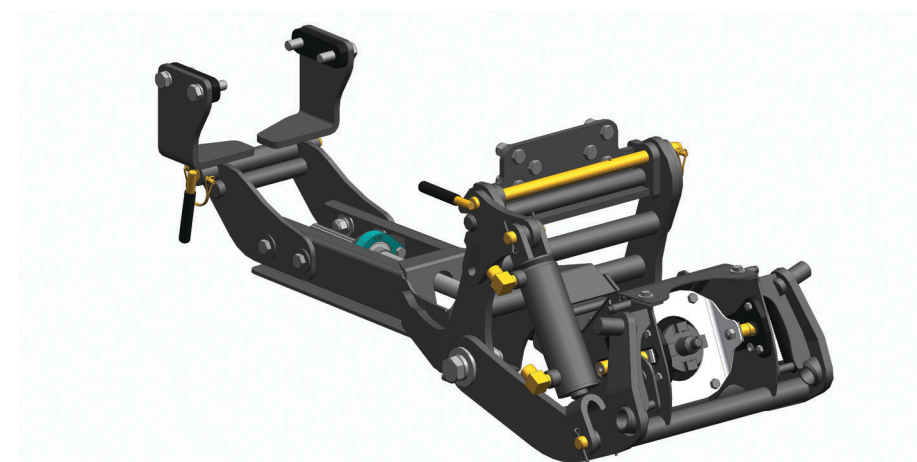
4-POINT QUICK CONNECT FRONT HITCH AND SUB-FRAME “-1” MODELS

PART NUMBER: B3410

Quickly connect or disconnect front PTO-driven attachments with the easy-to-use 4-Point Quick Connect Front Hitch

REQUIREMENTS

- Mid Mount Mower Decks and Bracing must be removed to install hitch
- B3412 Grill Guard Tilt Kit on Tractors w/ Grill Guard



B2401DT / B2401DTWO / B2301HSD / B2601HSD

50" TWO-STAGE RESIDENTIAL SNOW BLOWER

PART NUMBER: BX2816A

New 2 stage residential snowblower with manual chute rotation and manual chute deflection, chain reduction, 4-blade impeller

REQUIREMENTS

- B3410 Quick Hitch
- B2412 Grill Guard Tilt Kit
- B3411 Mid PTO Driveline
- BX2842A Completion Kit - (BX2842 not compatible with Mower Deck Linkage)

AVAILABLE ACCESSORIES

- BX2818A Hydraulic Chute Rotation
- BX2819A Electric Chute Rotation Kit
- BX2820A Electric Chute Deflector Kit
- BX2821A Hydraulic Chute Deflector Kit
- BX2817 Hard Plastic Shoes and Cutting Edge
- GR2714 Drift Cutter



48" TWO-STAGE COMMERCIAL SNOW BLOWER

PART NUMBER: BX2830

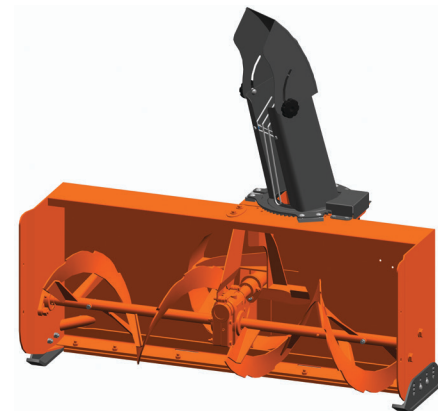
Commercial snowblower with housing and impeller, hydraulic chute rotation and manual chute deflector. Equipped with replaceable and reversible cutting edge

REQUIREMENTS

- B3410 Quick Hitch
- B2412 Grill Guard Tilt Kit
- B3411 Mid PTO Driveline

AVAILABLE ACCESSORIES

- BX2820A Electric Chute Deflector Kit
- BX2821A Hydraulic Chute Deflector Kit
- BX2831 Hard Plastic Shoes and Cutting Edge
- BX5447 Drift Cutter



55" TWO-STAGE COMMERCIAL SNOW BLOWER

PART NUMBER: BX2822A

Commercial snowblower with hydraulic chute rotation and manual chute deflection, oil bath reduction gear box. Equipped with a replaceable and reversible cutting edge

REQUIREMENTS

- B3410 Quick Hitch
- B3412 Grill Guard Tilt Kit
- B3411 Mid PTO Driveline

AVAILABLE ACCESSORIES

- BX2820A Electric Chute Deflector Kit
- BX2821A Hydraulic Chute Deflector Kit
- BX2823 Hard Plastic Shoes and Cutting Edge
- BX5447 Drift Cutters



60" HEAVY DUTY ROTARY SWEEPER WITH HYD. ANGLE

PART NUMBER: BX2814A

Commercial sweeper featuring 24" polypropylene brush wafers, hydraulic angling, oscillation and angulation function. Includes dethatching wheels

REQUIREMENTS

- B3410 Quick Hitch
- B3411 Mid PTO Driveline

AVAILABLE ACCESSORIES

- BX2815 Dust Deflector Kit



60" BLADE - HYD. ANGLE

PART NUMBER: BX2812A

B3410 QH Mounted Only. Reinforced heavy-duty snow blade with hydraulic angling, reversible cutting edge

REQUIREMENTS

- B3410 Quick Hitch

AVAILABLE ACCESSORIES

- BX2825 Skid Shoes
- BX2813 60" Rubber Cutting Edge





LX SERIES



LX SNOW IMPLEMENTS

QUICK HITCH AND SUB-FRAME

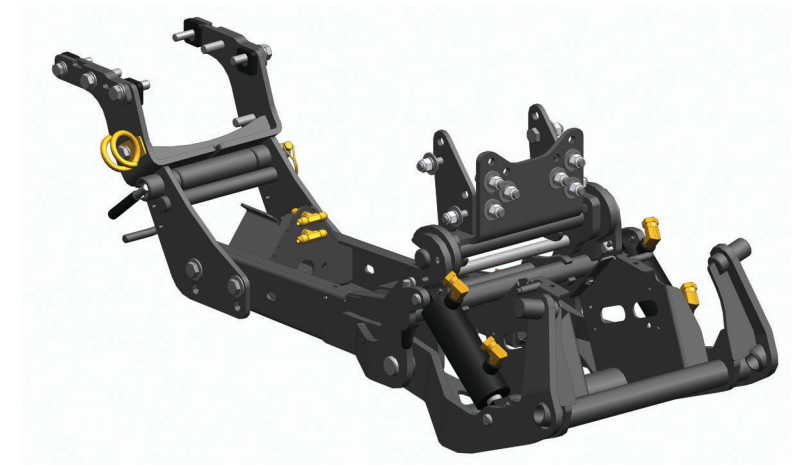
PART NUMBER: LX6971 (LX3520 & LX4020 MODELS)

PART NUMBER: LX2940B (LX2620 & LX10 SERIES MODELS)

Quickly connect or disconnect front PTO-driven attachments with the easy-to-use 4-Point Quick Connect Front Hitch

REQUIREMENTS

- Mid Mount Mower Decks and Bracing must be removed to install hitch
- LX6986 required if no Front End Loader Sub-Frame is installed on LX3520 and LX4020
- B2726A required if no Front End Loader Sub-Frame is installed on LX2620 or LX10 Series
- LX2953 required with LA535 non-MSL loader installed
- LX2954 required for LA535 MSL applications



LX2610 / LX2620 / LX3310 / LX3520 / LX4020



63" RESIDENTIAL 2-STAGE SNOWBLOWER

PART NUMBER: LX2963

Features: Gearbox reduction assembled, hydraulic chute rotation and manual chute deflection

NOTE: Not compatible with LX2620SUHD, LX3520DTN & LX3520SUHD

REQUIREMENTS

- LX6971 (LX3520 & LX4020 Models) or LX2940B (LX2620) Front Hitch*
- LX2942 Mid PTO Driveline Kit for LX2620 ROPs

AVAILABLE ACCESSORIES

- LX2941 Mid PTO Driveline Kit for LX2620 Cab
- LX6972 Mid PTO Driveline Kit for LX20 Models
- BL7522 Hydraulic Chute Deflector
- BX5447 Drift Cutters
- LX2943 Hard Plastic Cutting Edge & Adjustable Skid Shoes



51" COMMERCIAL 2-STAGE SNOWBLOWER

PART NUMBER: LX2970

Features: oilbath reduction gearboxes, hydraulic chute rotation, manual deflection, abrasion resistant housing and impeller

NOTE: Not compatible with LX2620SUHD, LX3520DTN & LX3520SUHD

REQUIREMENTS

- LX6971 (LX3520 & LX4020 Models) or LX2940B (LX2620) Front Hitch*
- LX2942 Mid PTO Driveline Kit for LX2620 ROPs

AVAILABLE ACCESSORIES

- LX2941 Mid PTO Driveline Kit for LX2620 Cab
- LX6972 Mid PTO Driveline Kit for LX20 Models
- BL7522 Hydraulic Chute Deflector
- BL7524 Drift Cutters
- LX2944 Hard Plastic Cutting Edge & Adjustable Skid Shoes
- B2799 3" Side Extension Kit



64" COMMERCIAL 2-STAGE SNOWBLOWER

PART NUMBER: LX2980

Features: oilbath reduction gearboxes, hydraulic chute rotation, manual deflection, abrasion resistant housing and impeller

NOTE: Not compatible with LX2620SUHD, LX3520DTN & LX3520SUHD

REQUIREMENTS

- LX6971 (LX3520 & LX4020 Models) or LX2940B (LX2620) Front Hitch*
- LX2942 Mid PTO Driveline Kit for LX2620 ROPs

AVAILABLE ACCESSORIES

- LX2941 Mid PTO Driveline Kit for LX2620 Cab
- LX6972 Mid PTO Driveline Kit for LX20 Models
- BL7522 Hydraulic Chute Deflector
- BL7524 Drift Cutters
- LX2945 Hard Plastic Cutting Edge & Adjustable Skid Shoes
- B2799 3" Side Extension Kit



66" ROTARY SWEEPER

PART NUMBER: LX2950

Features: Parking stands, hydraulic angling with 1 cylinder, hoses with nylon sleeves and couplers

NOTE: Not compatible with LX2620SUHD, LX3520DTN & LX3520SUHD

REQUIREMENTS

- LX6971 (LX3520 & LX4020 Models) or LX2940B (LX2620) Front Hitch*
- LX2942 Mid PTO Driveline Kit for LX2620 ROPs

AVAILABLE ACCESSORIES

- LX2941 Mid PTO Driveline Kit for LX2620 Cab
- LX6972 Mid PTO Driveline Kit for LX20 Models
- V5269 50/50 Poly and Steel Brush Kit
- V5250 Side Markers (Flexible Rods)
- LX2951 Dust Deflector

* NOTE: B2726A or LX6986 Quick Hitch Support Kit required if no FEL Subframe installed. LX2953 Hose Holder Kit required if non-MSL FEL installed. LX2954 T-Fitting Kit required if MSL FEL installed



60" HD SNOW BLADE

PART NUMBER: LX2960A

Features: Trip spring lockout, 1 hydraulic angling cylinder, HD double bevel cutting edge and skid shoe

REQUIREMENTS

- LX6971 (LX3520 & LX4020 Models) or LX2940B (LX2620) Front Hitch*
- Mid PTO is not required with snow blade

AVAILABLE ACCESSORIES

- B2766 60" Rubber Cutting edge



72" HD SNOW BLADE

PART NUMBER: LX2972A

Features: Trip spring lockout, 1 hydraulic angling cylinder, HD double bevel cutting edge and skid shoe

REQUIREMENTS

- LX6971 (LX3520 & LX4020 Models) or LX2940B (LX2620) Front Hitch*
- Mid PTO is not required with snow blade

AVAILABLE ACCESSORIES

- B2776 72" Rubber Cutting Edge



* NOTE: B2726A or LX6986 Quick Hitch Support Kit required if no FEL Subframe installed. LX2953 Hose Holder Kit required if non-MSL FEL installed. LX2954 T-Fitting Kit required if MSL FEL installed



L60LE/L60 SERIES

L60LE/L60 SNOW IMPLEMENTS

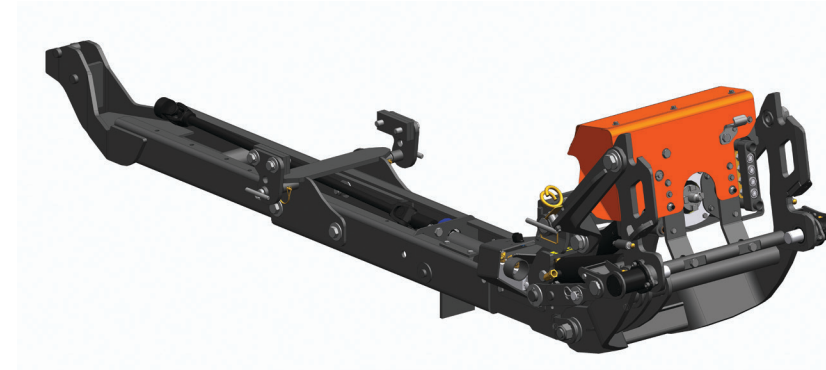
MANUAL-HITCH

PART NUMBER: L4455A

Quickly connect or disconnect front attachments with the easy-to-use 4-Point Quick Connect Front Hitch. Does not include Driveline Completion Kit

AVAILABLE ACCESSORIES:

- L4481 - Required if the grille guard is desired. **(Grille guard must be purchased separately)**
- L4483 - Driveline Completion Kit for L3560 Tractor
- L4484 - Driveline Completion Kit for L4060-L6060 Tractor (Included in L4554A Auto Hitch Kit)
- L4456 - GPR - Ground Pressure Relief System (Requires L4449 - install on L4455(A) Manual Hitch)
- L4449 - GPR Hose Kit & Control Box (Requires install L4456 (GPR) on L4455(A) Manual Hitch)



AUTO-HITCH - EQUIPPED WITH AUTO MODULE

PART NUMBER: L4554A

Auto-Hitch - Equipped with Auto Module that quickly connects or disconnects front attachments with the easy-to-use 4-Point Quick Connect Front Hitch. Includes 4 Cylinder Driveline Completion Kit

AVAILABLE ACCESSORIES:

- L4481 - Required if the grille guard is desired. (Grille guard must be purchased separately.) For 3 Cylinder Models, also order Part #70001-00623 **(do not order the entire 3 Cylinder Driveline Completion Kit L4483)**
- L4483 - Driveline Completion Kit for L3560 Tractor
- L4484 - Driveline Completion Kit for L4060-L6060 Tractor (Included in L4554A Auto Hitch Kit)
- L4456 - GPR - Ground Pressure Relief System (Requires L4449 install on L4455(A) Manual Hitch)
- L4449 - GPR Hose Kit & Control Box (Requires install L4456 (GPR) on L4455(A) Manual Hitch)



L3560 / L4060 / L4760 / L5060 / L5460 / L6060

62" TWO-STAGE UTILITY SNOWBLOWER

PART NUMBER: L2194A

The L2194A 62" Two-Stage Utility Snowblower. Includes Blower and Chute Rotator

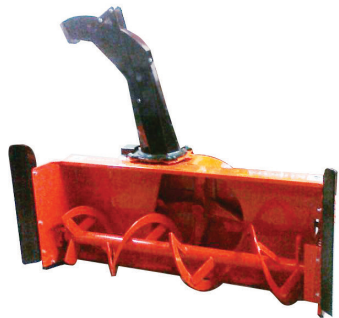
NOTE: L3560 Only

REQUIREMENTS:

- L8387 Mid PTO Kit (ROPS models also require L8316)
- L4483 Driveline Kit (L3560 Tractor)
- L4455A Manual Quick Hitch **OR** L4554A Auto Quick Hitch
- L4431 (Manual, L4455A) OR L4432 (Auto, L4554A) Completion Kit
- L4445 Adapter Kit

AVAILABLE ACCESSORIES:

- L2177 Width Extension Kit, adds 5" overall cut
- BL2666A Hydraulic Chute Deflector Kit (Includes Electric Selector Valve)



64" TWO-STAGE UTILITY SNOWBLOWER

PART NUMBER: L4469

The L4469 64" Two-Stage Utility Snowblower features an oil bath gearbox, 3 part chute with manual chute deflector, hydraulic chute rotation by motor, hydraulic flow restrictors and couplers

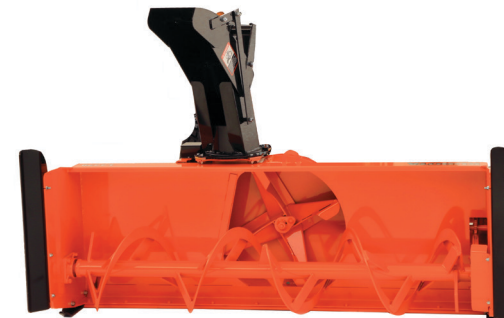
NOTE: L3560 Only

REQUIREMENTS:

- L8387 Mid PTO Kit (ROPS models also require L8316)
- L4483 Driveline Kit (L3560 Tractor) L4455A Manual Quick Hitch **OR** L4554A Auto Quick Hitch
- L4431 (Manual, L4455A) OR L4432 (Auto, L4554A) Completion Kit

AVAILABLE ACCESSORIES:

- L2177 Width Extension Kit, adds 5" overall cut
- BL2666A Hydraulic Chute Deflector Kit (Includes Electric Selector Valve)



74" TWO-STAGE UTILITY SNOWBLOWER

PART NUMBER: L4479

The L4479 74" Two-Stage Utility Snowblower features a HD oil bath gearbox, 3 part chute with manual chute deflector, hydraulic chute rotation with motor, hydraulic flow restrictors and couplers

NOTE: for all Grand L60 Models

REQUIREMENTS:

- L8387 Mid PTO Kit (ROPS models also require L8316)
- L4483 Driveline Kit (L3560 Tractor)
- L4484 Driveline Kit (L4060-L6060 Tractor if ordering L4455A)
- L4455A Manual Quick Hitch **OR** L4554A Auto Quick Hitch
- L4431 (Manual, L4455A) OR L4432 (Auto, L4554A) Completion Kit

AVAILABLE ACCESSORIES:

- L2177 Width Extension Kit, adds 5" overall cut
- BL2666A Hydraulic Chute Deflector Kit (Includes Electric Selector Valve)
- L4445 Snowblower Adapter Kit (Required to convert L2194A or LA2195A)



74" COMMERCIAL SNOWBLOWER

PART NUMBER: L4474

The L4474 74" Commercial Snowblower features a HD oil bath gearbox, 3 part chute with manual chute deflector, hydraulic chute rotation with motor, hydraulic flow restrictors and couplers

NOTE: L4760-L6060 Models Only

REQUIREMENTS:

- L8387 Mid PTO Kit (ROPS models also require L8316)
- L4484 Driveline Kit (L4060-L6060 Tractor if ordering L4455A)
- L4455A Manual Quick Hitch **OR** L4554A Auto Quick Hitch
- L4433 (Manual, L4455A) OR L4434 (Auto, L4554A) Completion Kit

AVAILABLE ACCESSORIES:

- L2470 74" Teflon Cutting Edge for Commercial Snowblowers
- NOTE: L4456 is highly recommended (L4449 is also required with L4455A)**





80" COMMERCIAL SNOWBLOWER

PART NUMBER: L4485

The L4485 80" Commercial Snowblower features a HD oil bath gearbox, 3 part chute with manual chute deflector, hydraulic chute rotation with motor, hydraulic flow restrictors and couplers

NOTE: L4760-L6060 Models Only

REQUIREMENTS:

- L8387 Mid PTO Kit (ROPS models also require L8316)
- L4484 Driveline Kit (L4060-L6060 Tractor if ordering L4455A)
- L4455A Manual Quick Hitch OR L4554A Auto Quick Hitch
- L4433 (Manual, L4455A) OR L4434 (Auto, L4554A) Completion Kit

AVAILABLE ACCESSORIES:

- L2471 80" Teflon Cutting Edge for Commercial Snowblowers.
NOTE: L4456 is highly recommended (L4449 is also required with L4455A)



60" ROTARY BROOM W/22" DIAMETER

PART NUMBER: L4467

The L4467 60" Rotary Broom features a 22" Diameter, standard power angle, and includes a Hitch Lift Limiter

NOTE: L3560 Only

REQUIREMENTS:

- L8387 Mid PTO Kit (ROPS models also require L8316)
- L4483 Driveline Kit (L3560 Tractor)
- L4455A Manual Quick Hitch **OR** L4554A Auto Quick Hitch
- L4431 (Manual, L4455A) **OR** L4432 (Auto, L4554A) Completion Kit

AVAILABLE ACCESSORIES:

- BL2178 Side Caster Wheel
- L2168 60" Rubber Dust Deflector



72" ROTARY BROOM W/22" DIAMETER

PART NUMBER: L4477

The L4477 72" Rotary Broom features 22" wafer brushes, hydraulic angling, adjustable suspension and parking stands

NOTE: For all Grand L60 Models

REQUIREMENTS:

- L8387 Mid PTO Kit (ROPS models also require L8316)
- L4483 Driveline Kit (L3560 Tractor)
- L4484 Driveline Kit (L4060-L6060 Tractor if ordering L4455A)
- L4455A Manual Quick Hitch OR L4554A Auto Quick Hitch
- L4431 (Manual, L4455A) OR L4432 (Auto, L4554A) Completion Kit

AVAILABLE ACCESSORIES:

- BL2178 Side Caster Wheel
- L2169 72" Rubber Dust Deflector



72" COMMERCIAL ROTARY BROOM

PART NUMBER: L4556

72" Commercial Rotary Broom

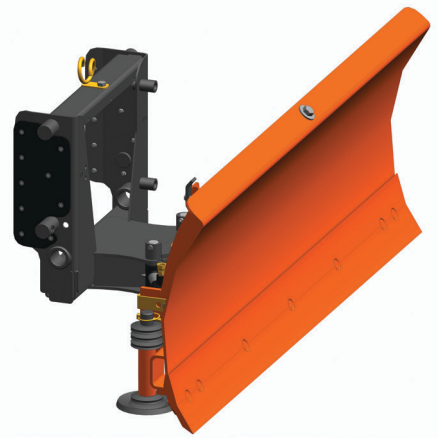
NOTE: For L4060-L6060 Models

REQUIREMENTS:

- L8387 Mid PTO Kit (ROPS models also require L8316)
- L4484 Driveline Kit (L4060-L6060 Tractor if ordering L4455A)
- L4455A Manual Quick Hitch OR L4554A Auto Quick Hitch
- L4488 (Manual, L4455A) OR L4475 (Auto, L4554A) Completion Kit

AVAILABLE ACCESSORIES:

- L4535 72" Dust Deflector Kit
- L4514 Lawn Dethatching Kit



60" FRONT BLADE

PART NUMBER: L4466

The L4466 60" Front Blade features a trip spring lockout, HD double bevel heat-treated, HD skid shoes, hydraulic angling with 2 cylinders, hoses & quick couplers

NOTE: L3560 Only

REQUIREMENTS:

- L4455A Manual Quick Hitch OR L4554A Auto Quick Hitch
- L4482 Blade Completion Kit for Installation on L4554A Hitch

AVAILABLE ACCESSORIES:

- B2766 60" Front Blade Rubber Cutting Edge



72" FRONT BLADE

PART NUMBER: L4476

The L4476 72" Front Blade features a trip spring lockout, HD double bevel heat-treated, HD skid shoes, hydraulic angling with 2 cylinders, hoses & quick couplers

NOTE: for all Grand L60 Models

REQUIREMENTS:

- L4455A Manual Quick Hitch OR L4554A Auto Quick Hitch
- L4482 Blade Completion Kit for Installation on L4554A Hitch

AVAILABLE ACCESSORIES:

- B2776 72" Front Blade Rubber Cutting Edge



72" FRONT BLADE

PART NUMBER: L2172B

The L2172B 72" Front Blade is a heavy duty blade designed for commercial use. Hydraulic power angle is a standard feature

NOTE: for all Grand L60 Models

REQUIREMENTS:

- L4455A Manual Quick Hitch OR L4554A Auto Quick Hitch
- L4482 Blade Completion Kit for Installation on L4554A Hitch
- L4446 Blade Adapter Kit



84" FRONT BLADE, HYD. LIFT AND ANGLE

PART NUMBER: L4486

The L4486 84" Front Blade is a heavy duty blade designed for commercial use. Hydraulic power angle is a standard feature

NOTE: For L4060-L6060 Models

REQUIREMENTS:

- L4455A Manual Quick Hitch OR L4554A Auto Quick Hitch
- L4482 Blade Completion Kit for Installation on L4554A Hitch

AVAILABLE ACCESSORIES:

- L2777 84" Front Blade Rubber Cutting Edge